

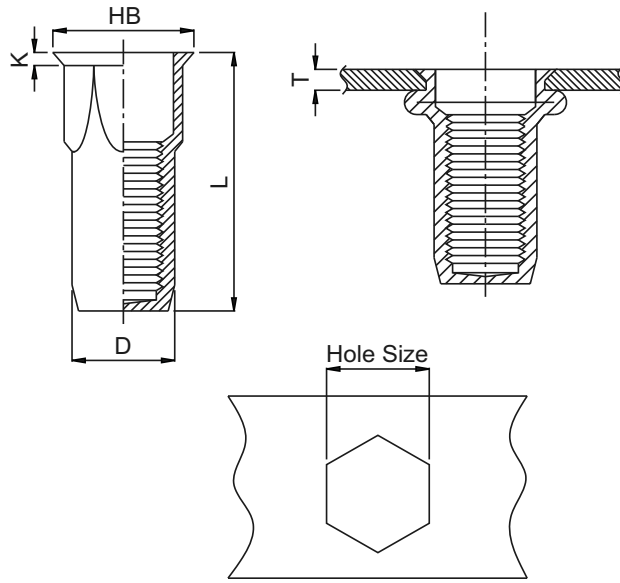


- Quarter Turn Locks
- Compression Locks & Latches
- Handle Locks
- Rod Control Locks
- Electronic Locks
- Canopy Locks, Handles & Door Stay
- Hinges
- 9 Fold Accessories
- Sealing Profiles
- Fan Filter
- Panel Fasteners**
- Sleeve & Termination
- Wiring Accessories
- Connectors

**Reduce Head Semi-Hex Body Close End - SS-CE-HA-SM Series**

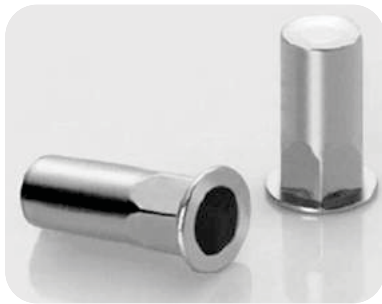


**Material :**  
Stainless Steel

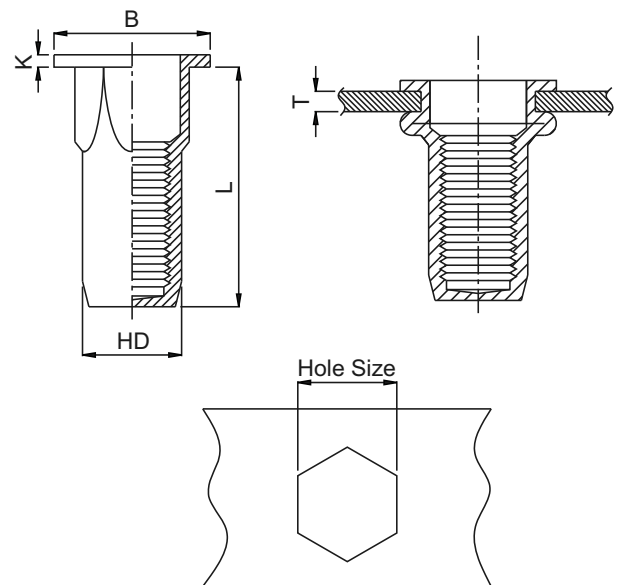


MODEL	SIZE	T(Grip Range) Min-Max.	Hole Size	UNIT -mm			
				D +0.0 -0.15	HB ±0.25	K +0.3 -0.0	L +0.5 -0.0
SS-CE-HA-SM4	M4 x 0.7	0.5 - 2.5	6.1	6.0	7.0	0.5	16.0
SS-CE-HA-SM5	M5 x 0.8	0.5 - 3.0	7.1	7.0	8.0	0.5	18.0
SS-CE-HA-SM6	M6 x 1.0	0.5 - 3.0	9.1	9.0	10.0	0.5	21.0
SS-CE-HA-SM8	M8 x 1.25	0.5 - 3.0	11.1	11.0	12.0	0.5	23.5
SS-CE-HA-SM10	M10 x 1.5	1.0 - 3.5	13.1	13.0	14.2	0.8	26.5

**Flat Head Semi-Hex Body Close End - SS-CE-HA-LM Series**



**Material :**  
Stainless Steel



MODEL	SIZE	T(Grip Range) Min-Max.	Hole Size	UNIT -mm			
				HD +0.0 -0.15	B +0.5 -0.0	K ±0.1	L ±0.3
SS-CE-HA-LM4	M4 x 0.7	0.5 - 2.5	6.1	6.0	9.0	1.0	16.0
SS-CE-HA-LM5	M5 x 0.8	0.5 - 3.0	7.1	7.0	10.0	1.0	18.0
SS-CE-HA-LM6	M6 x 1.0	0.5 - 3.0	9.1	9.0	12.0	1.5	21.0
SS-CE-HA-LM8	M8 x 1.25	0.5 - 3.0	11.1	11.0	14.5	1.5	23.5