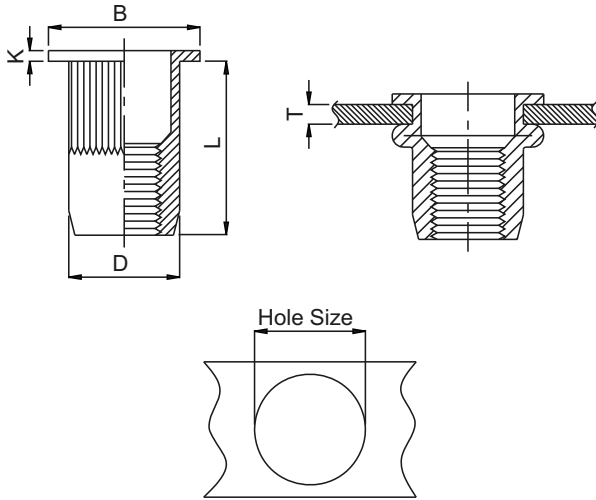




Reduce Head Semi-Hex Body - SS-HA-SM Series



Material :
Stainless Steel

Quarter Turn Locks

Compression Locks & Latches

Handle Locks

Rod Control Locks

Electronic Locks

Canopy Locks, Handles & Door Stay

Hinges

9 Fold Accessories

Sealing Profiles

Fan Filter

Panel Fasteners

Sleeve & Termination

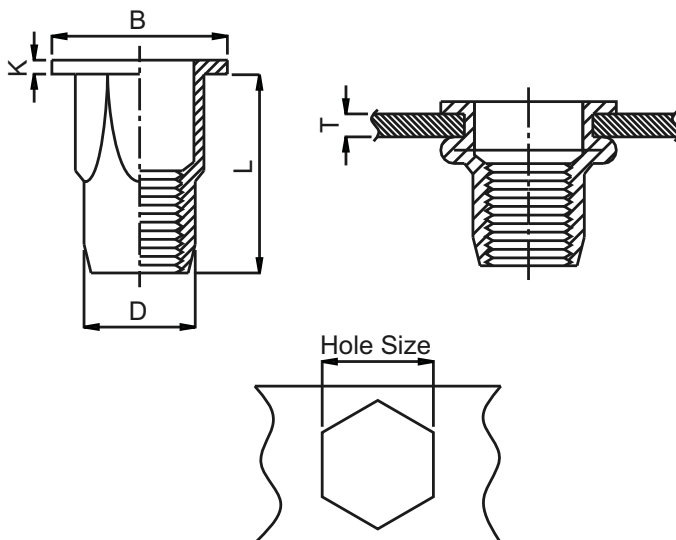
Wiring Accessories

Connectors

UNIT -mm

MODEL	SIZE	T(Grip Range) Min-Max.	Hole Size	D +0.0 -0.15	HB ±0.3	K +0.3 -0.0	L +0.5 -0.0
SS-HA-SM3	M3 x 0.5	0.5 - 2.0	5.1	5.0	6.0	0.5	9.0
SS-HA-SM4	M4 x 0.7	0.5 - 2.5	6.1	6.0	7.0	0.5	11.0
SS-HA-SM4-L	M4 x 0.7	2.5 - 4.0	6.1	6.0	7.0	0.5	12.5
SS-HA-SM5	M5 x 0.8	0.5 - 3.0	7.1	7.0	8.0	0.5	12.0
SS-HA-SM5-L	M5 x 0.8	3.0 - 4.5	7.1	7.0	8.0	0.5	13.5
SS-HA-SM6	M6 x 1.0	0.5 - 3.0	9.1	9.0	10.0	0.5	14.0
SS-HA-SM6-L	M6 x 1.0	3.0 - 5.0	9.1	9.0	10.0	0.5	16.0
SS-HA-SM8	M8 x 1.25	0.5 - 3.0	11.1	11.0	12.0	0.5	16.0
SS-HA-SM8-L	M8 x 1.25	3.0 - 5.0	11.1	11.0	12.0	0.5	18.5
SS-HA-SM10	M10 x 1.5	1.0 - 3.5	13.1	13.0	14.2	0.7	19.0

Reduce Head Semi-Hex Body - SS-HA-SM Series



Material :
Stainless Steel

UNIT -mm

MODEL	SIZE	T(Grip Range) Min-Max.	Hole Size	D +0.0 -0.15	B +0.5 -0.0	K ±0.1	L ±0.3
SS-HA-LM4	M4 x 0.7	0.5 - 2.5	6.1	6.0	9.0	1.0	11.0
SS-HA-LM4-L	M4 x 0.7	2.5 - 4.0	6.1	6.0	9.0	1.0	12.5
SS-HA-LM5	M5 x 0.8	0.5 - 3.0	7.1	7.0	10.0	1.0	12.0
SS-HA-LM6	M6 x 1.0	0.5 - 3.0	9.1	9.0	12.0	1.5	14.0
SS-HA-LM8	M8 x 1.25	0.5 - 3.0	11.1	11.0	14.5	1.5	16.0
SS-HA-LM10	M10 x 1.5	1.0 - 3.5	13.1	13.0	16.5	2.0	19.0