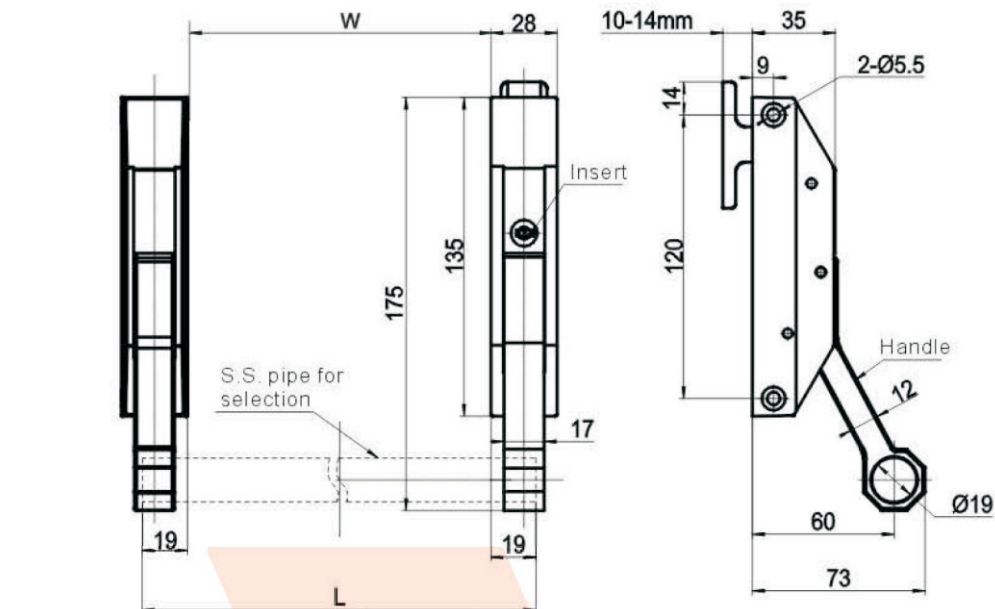
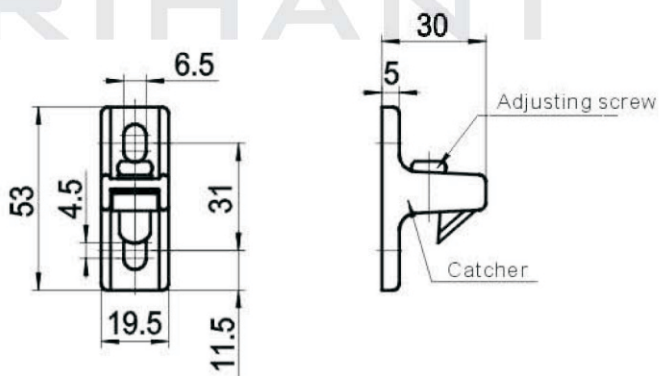




MS885

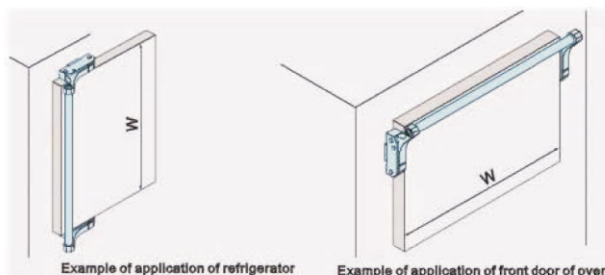


Example of application



Main material and finish: Bright chrome plated ZDC housing, insert handle; ZDC catcher.

Remarks: Default Key K26. MOQ 200PCS.



MS885-2	Without insert for both lock-body
MS885-1	With insert only for right lock-body
CODE	SPECIFICATION