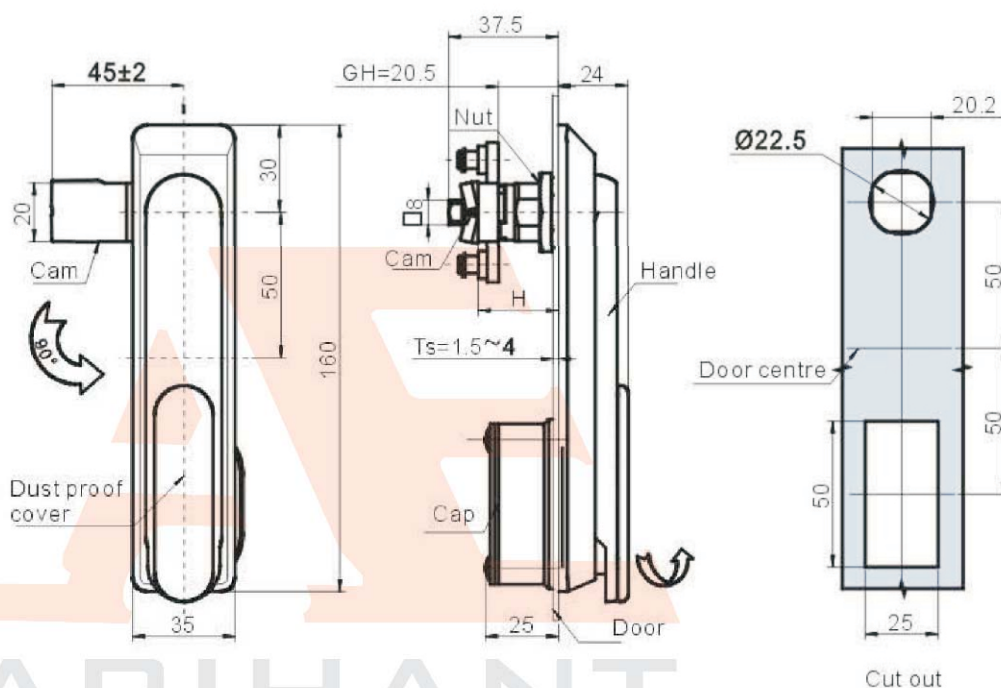


## MS874



**Main material and finish:** Stainless steel lock-body and shaft, PA cover.



Default cam S3B4500, cut out  $\square 8$ , 2-points and 3-points cam in cam list for selection.