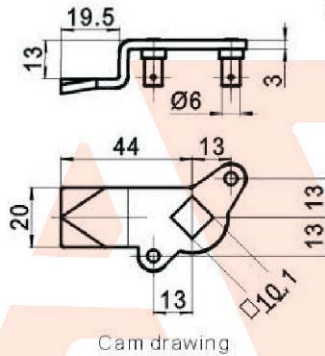
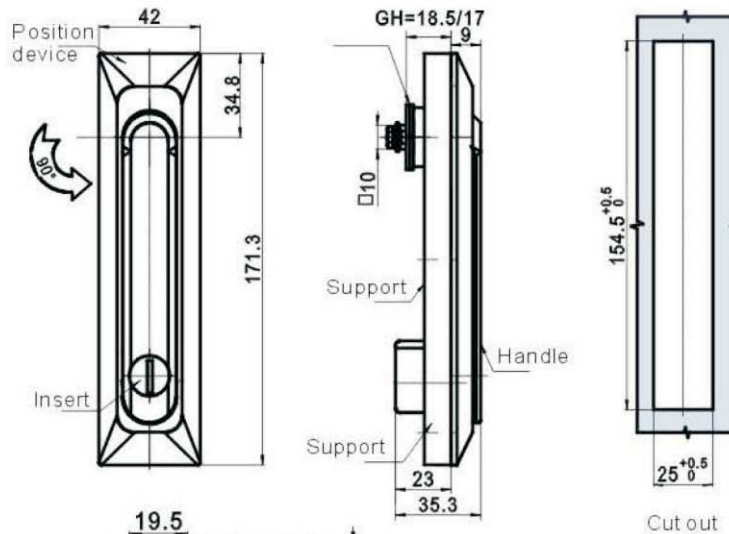


MS861



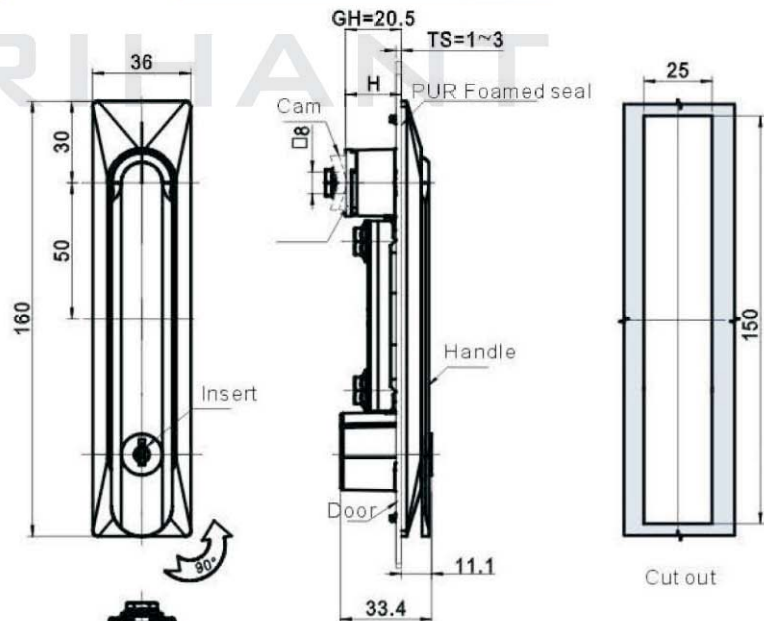
**Main material and finish:** Black powder coated ZDC housing and handle; Zinc-plated steel cam, stainless steel shaft.

**Remarks:** Default key K14.



**Remarks:** RH, LH and H can be changed by removing or adding position device. Position device thickness: 1.5mm

MS861-2



**Main material and finish:** Silver painted ZDC housing and handle; Zinc-plated steel cam; ZDC shaft.

**Remarks:** Default key K14.

**Remarks:** Cam list for selection. Cut out Ø8, default S3B4510. H=30.5

