



E-mail: info@aelocks.in // Website: www.aelocks.in

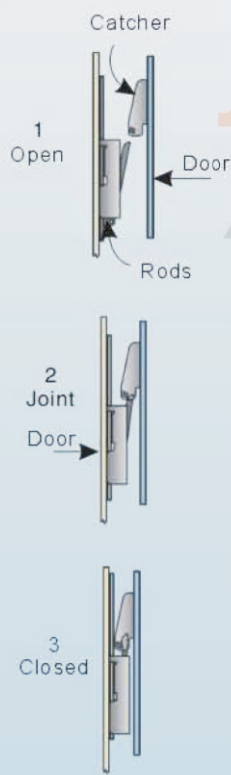
**MS855**



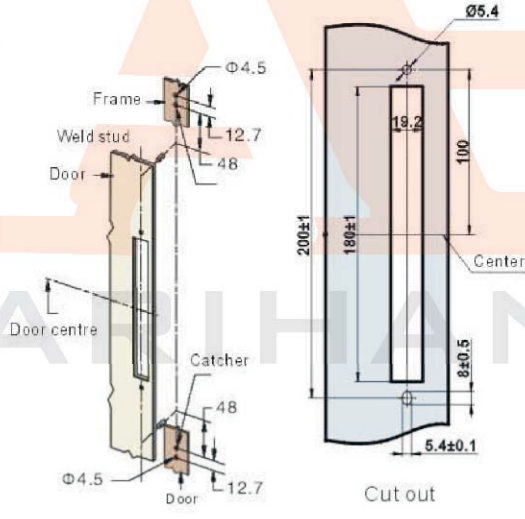
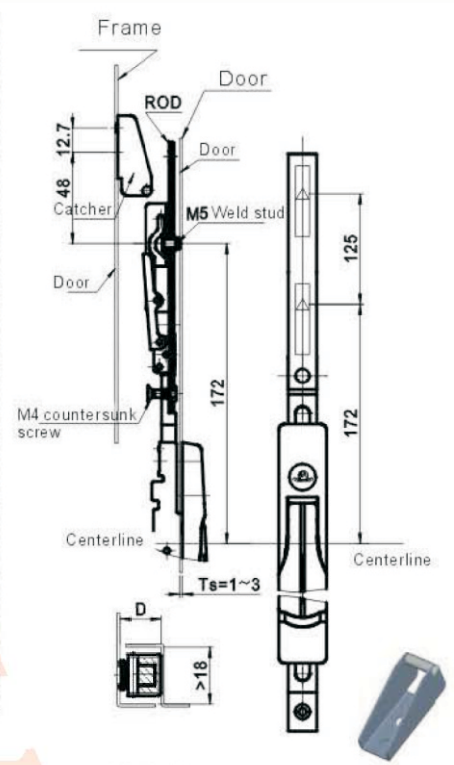
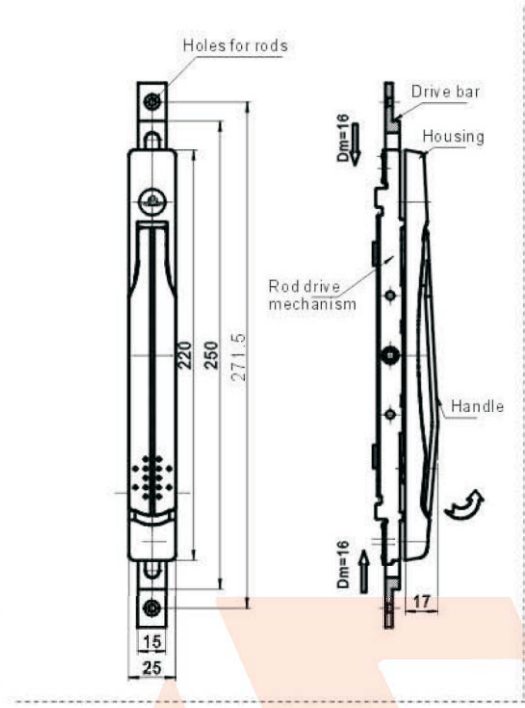
MS855-1



MS855-2

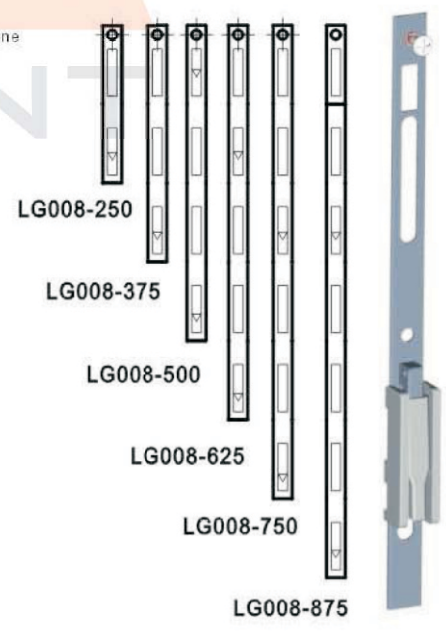


**Main material and finish:** Black powder coated ZDC handle and housing; ZDC drive bar; Stainless steel bracket.  
**Remarks:** Default Key K17.



BC01-25	21.5	25
BC01-22 (Standard)	18.5	22
BC01-19	15.5	19
BC01-15	11.5	15
Specification of fixing plate	H	D

Catcher code



ROD CODE	LENGTH
LG008-250	250
LG008-375	375
LG008-500	500
LG008-625	625
LG008-750	750
LG008-875	875

