



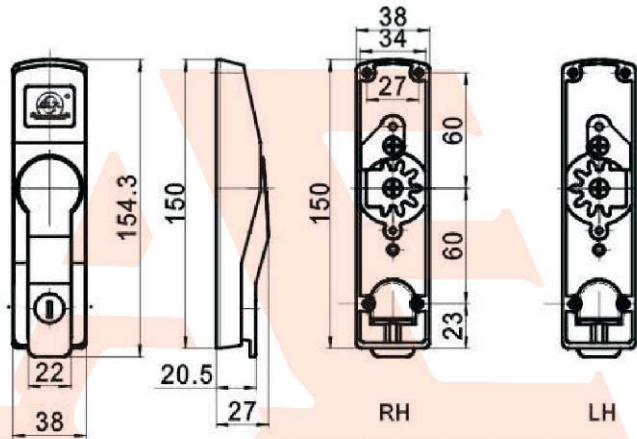
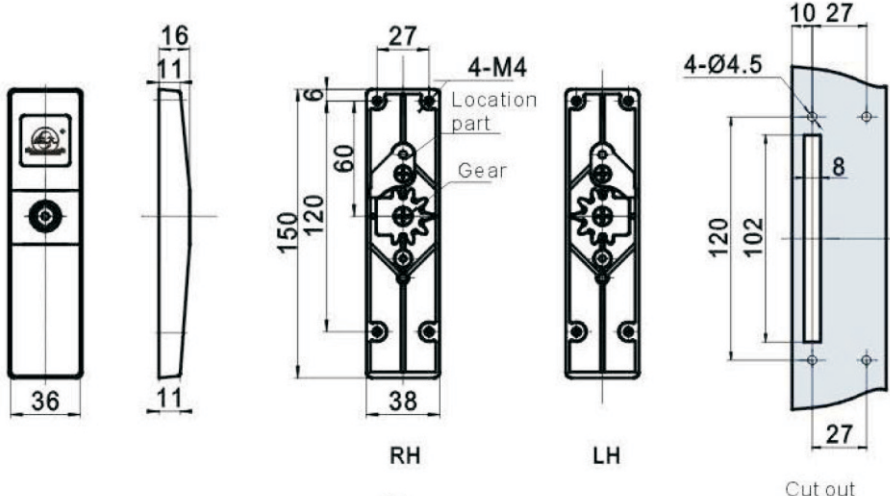
MS851
MS852



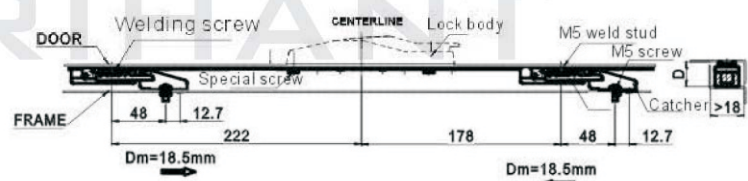
MS851



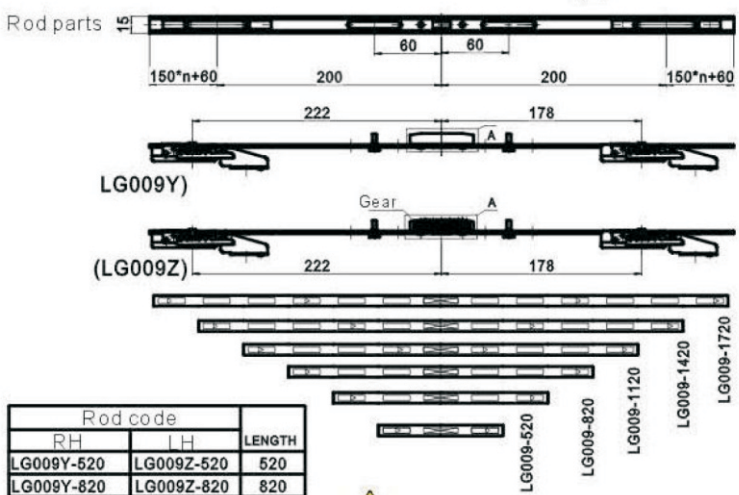
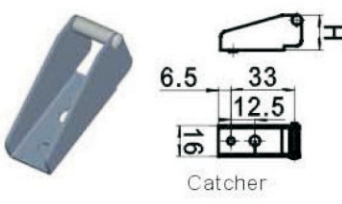
MS852



⚠ Default item: RH with LG009Y, right rods.



Main material and finish: Black powder coated ZDC handle and housing.
Remarks: MS852 default key K11.



BC01-25	21.5	25
BC01-22 Standard	18.5	22
BC01-19	15.5	19
BC01-15	11.5	15
Catcher code	H	D

Rod code		LENGTH
RH	LH	
LG009Y-520	LG009Z-520	520
LG009Y-820	LG009Z-820	820
LG009Y-1120	LG009Z-1120	1120
LG009Y-1420	LG009Z-1420	1420
LG009Y-1720	LG009Z-1720	1720
LG009Y-2020	LG009Z-2020	2020

⚠ Direction of fixing locking bolt and locking hook
☒ the middle of drive box and Rods
L=(200+150Xn+60)X2
n:nodes

