



MS848-B

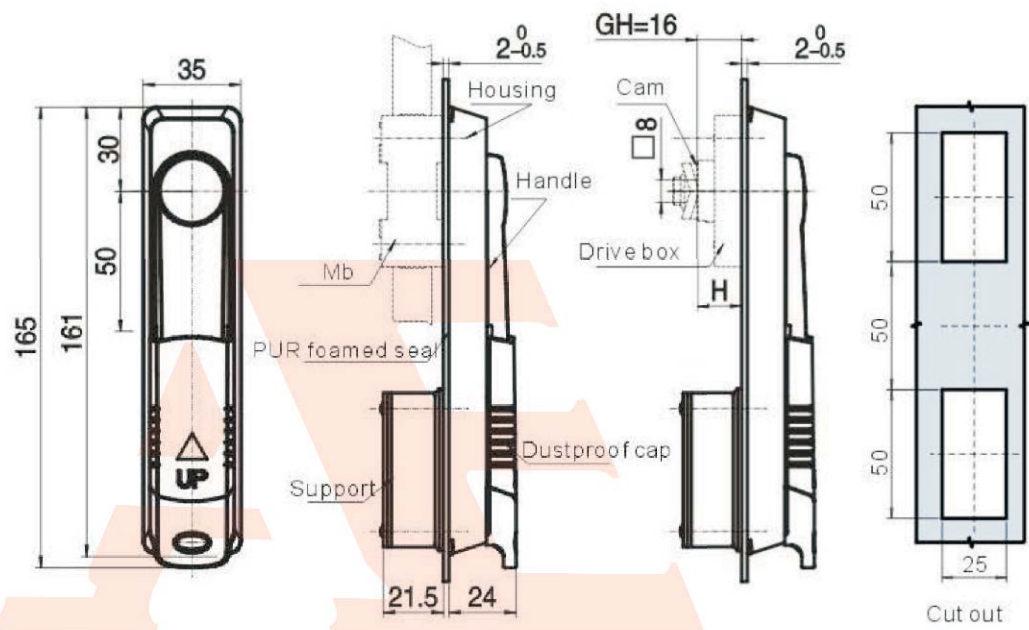
NEW



MS848-1B MS848-2B

Main material and finish: Black PA handle, housing; Zinc plated steel cam and drive bar.

Remarks: Default Key K14.



MS848-1B MS848-2B

Accessories for selection: Mb9 (Rod drive mechanism by cam)P5-017
Mb4 (Rod drive mechanism by bar)P5-022

MS848-2B	With rod drive mechanism by cam
MS848-1B	With rod drive mechanism by bar
CODE	SPECIFICATION