



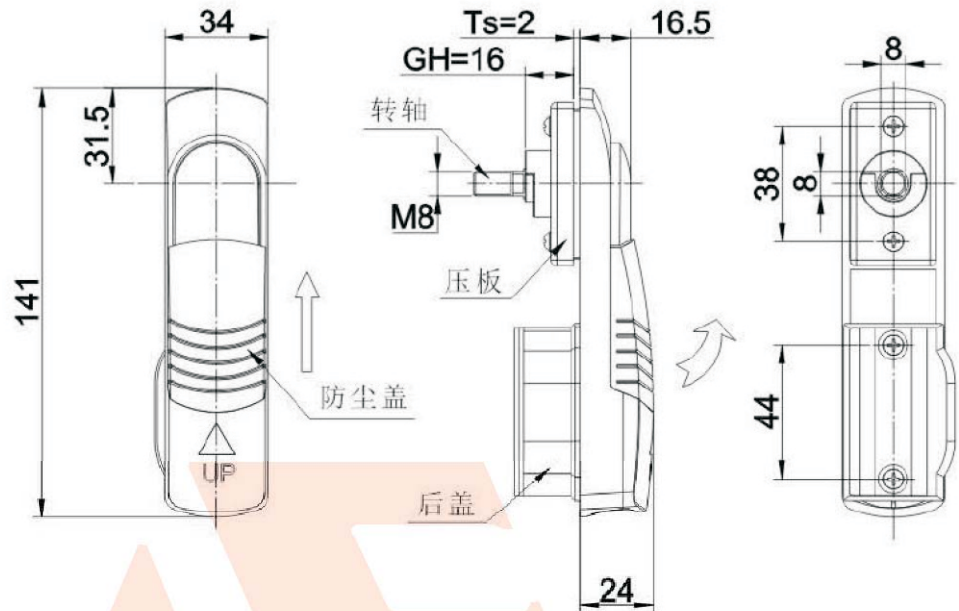
MS848-4A/4B



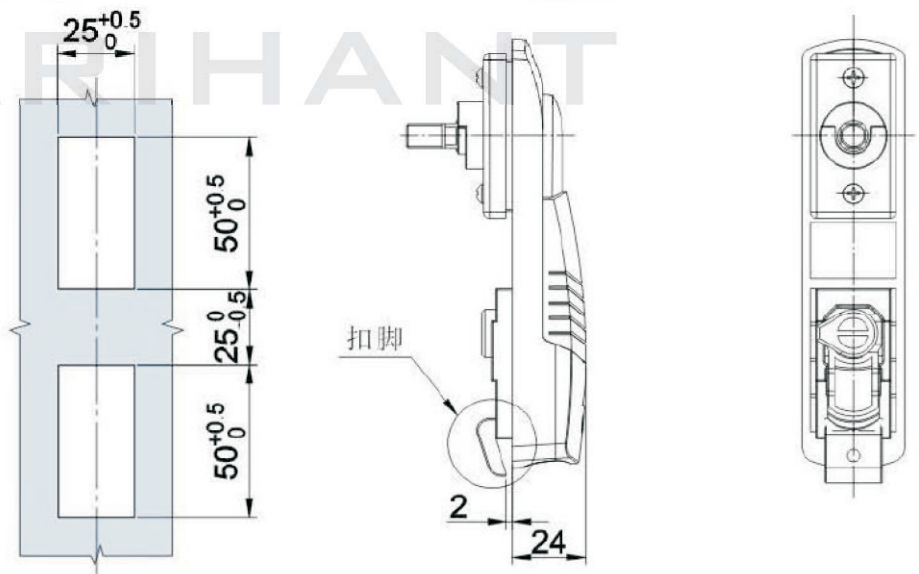
MS848-4A



MS848-4B



MS848-4A



开孔尺寸
Panel Drilling Dimensions

MS848-4B

材质及表面处理: 黑色尼龙基座, 手柄, 不锈钢转轴
备注: 默认钥匙: K14; 钢栓开孔 $\square 8$. 钢栓选择参考P003-P008; 防水等级: IP55

Material and surface finish: Black nylon base, handle, Stainless steel shaft
Remark: default key K14. cam hole size $\square 8$, refer to page P003-P008; Water-proof: Ip55