



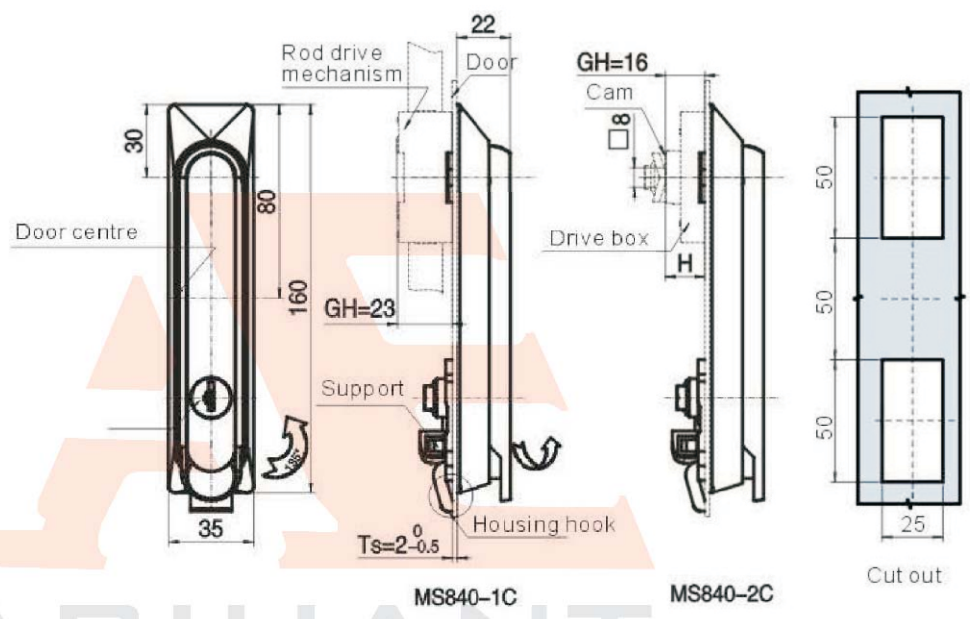
MS840-C

NEW



MS840-1C

MS840-2C



Accessories for selection: Mb9 (Rod drive mechanism by cam)P5-017
Mb4 (Rod drive mechanism by bar)P5-022

Main material and finish: Black PA handle, housing; Zinc plated steel cam and drive bar.

Remarks: Default Key K14.

MS840-2C	With rod drive mechanism by cam
MS840-1C	With rod drive mechanism by bar
CODE	SPECIFICATION