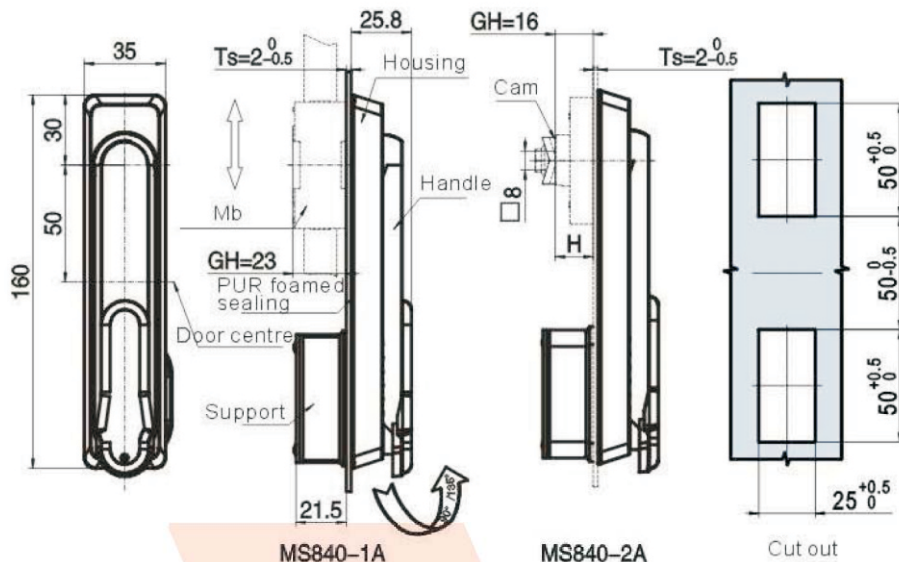




MS840-A

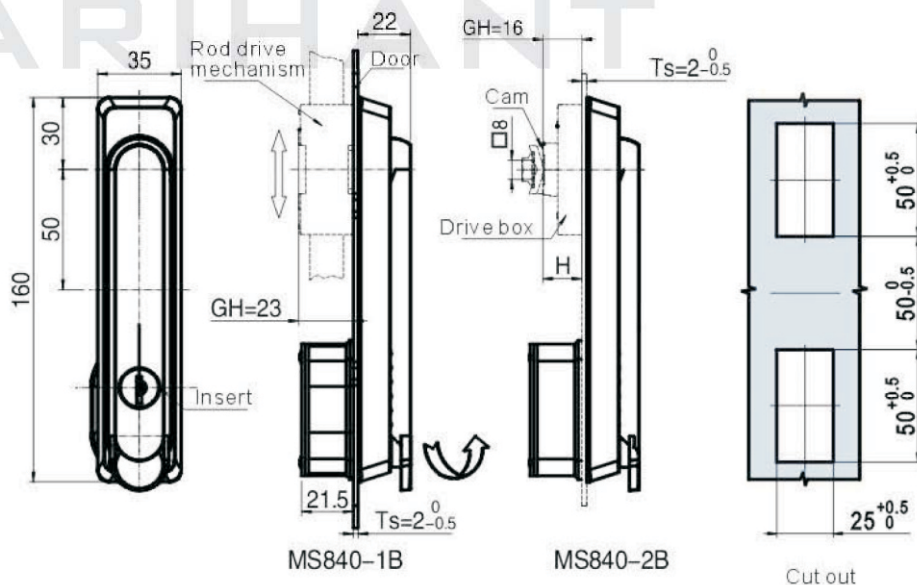


Main material and finish: Black PA handle, housing and dustproof-cap; Zinc plated steel cam and drive bar; Bright chrome plated ZDC profile cylinder.
Remarks: Default Key K14; MOQ 200PCS.

Accessories for selection: Mb9 (Rod drive mechanism by cam)P5-017
Mb4 (Rod drive mechanism by bar)P5-022
T C01/T C02/T C03

MS840-2A	Rod drive mechanism by cam and with dustproof-cap
MS840-1A	Rod drive mechanism by bar and with dustproof-cap
CODE	SPECIFICATION

MS840-B



Main material and finish: Black PA handle, housing and dustproof-cap; Zinc plated steel cam and drive bar; Bright chrome plated ZDC profile cylinder.
Remarks: Default Key K14. MOQ 200PCS.

Accessories for selection: Mb9 (Rod drive mechanism by cam)P5-017
Mb4 (Rod drive mechanism by bar)P5-022
T C01/T C02/T C03

MS840-2B	Rod drive mechanism by cam
MS840-1B	Rod drive mechanism by bar
CODE	SPECIFICATION