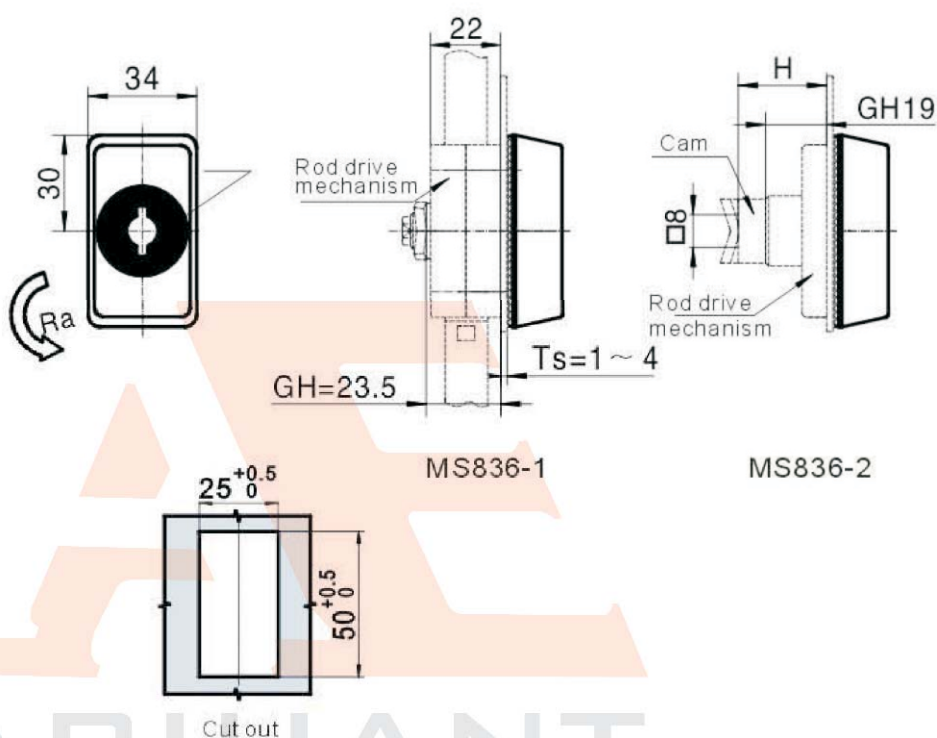


MS836



MS836-1

MS836-2



MS836-1

MS836-2

Main material and finish: Silver painted ZDC insert, housing; Zinc plated steel cam and drive bar.

Accessories for selection: Mb9 (Rod drive mechanism by cam)P5-017
Mb3 (Rod drive mechanism by bar)P5-017

MS836-2	By cam
MS836-1-2	With Mb32 rod drive mechanism
MS836-1	With Mb31 rod drive mechanism
CODE	SPECIFICATION