

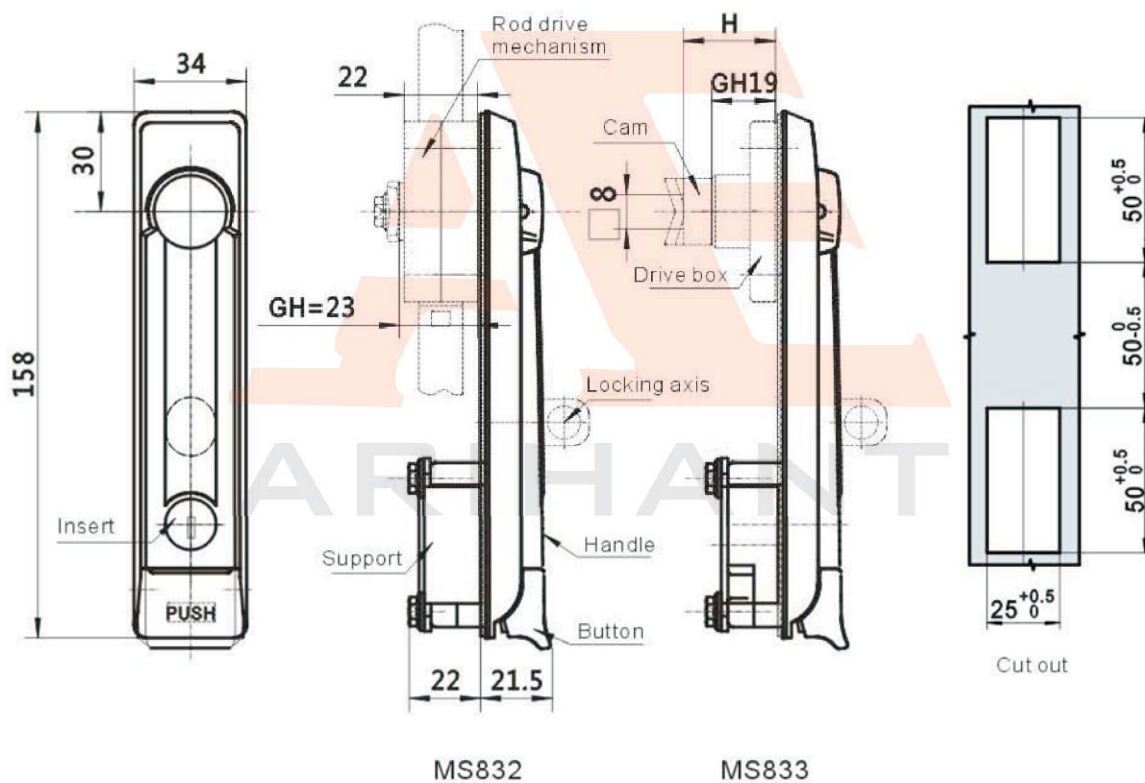


MS832
MS833



Main material and finish: Black powder coated ZDC handle, housing and button; Zinc plated steel cam and drive bar. Default key K03. MOQ 200pcs.

MS832-1 MS832-2 MS832-1P MS833-1 MS833-2



Accessories for selection: Mb9 (Rod drive mechanism by cam)P5-017
Mb0 (Rod drive mechanism by bar)P5-017

MS833-2P	Without button, with padlock device
● MS833-2	Without button
MS833-1P	With button, with padlock device
● MS833-1	With button
MS832-2-2P	Without button, with Mb02 and padlock device
MS832-2-2	Without button, with Mb02
MS832-2P	Without button, with Mb01 and padlock device
● MS832-2	Without button, with Mb01
MS832-1-2P	With button, with Mb02 and padlock device
MS832-1-2	With button, with Mb02
MS832-1P	With button, with Mb01 and padlock device
● MS832-1	With button, with Mb01
CODE	SPECIFICATION