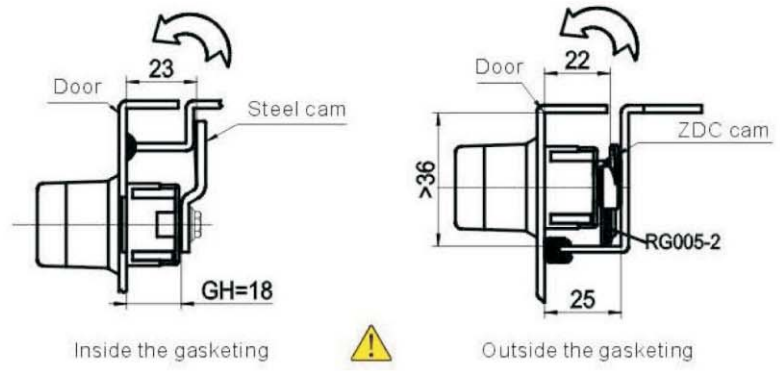
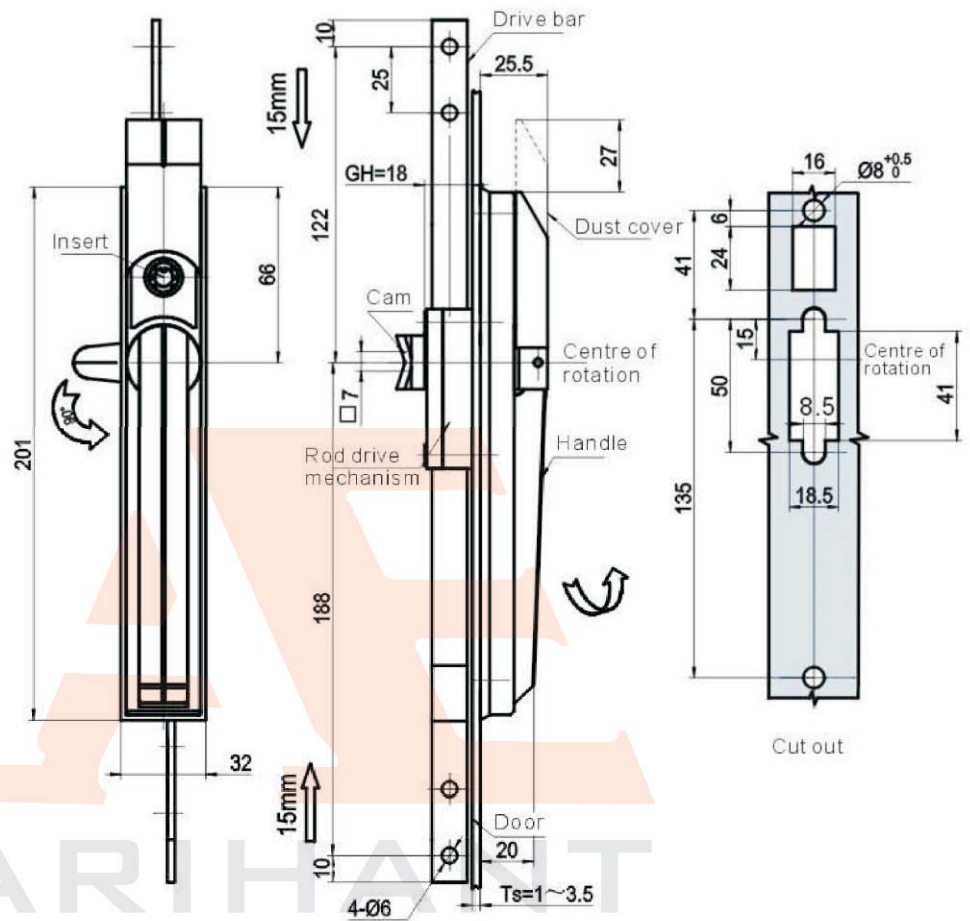




MS830



Main material and finish: ZDC handle, housing and dustproof-cap; Zinc plated steel cam and drive bar.