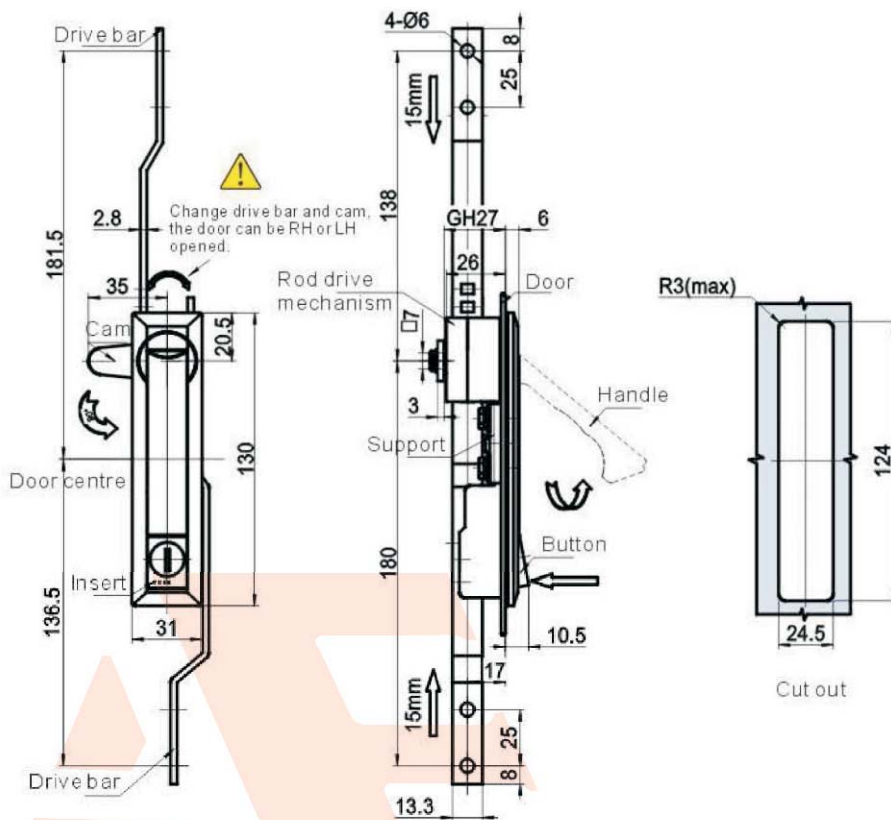


MS731-1



Main material and finish: Gray chrome plated ZDC handle, housing and button; Zinc plated steel cam and drive bar.
Remarks: Default key K06.



MS731-2



Main material and finish: Black powder coated ZDC housing, button and handle; Zinc plated steel cam.
Remarks: Default key K06.

