



MS712
MS713



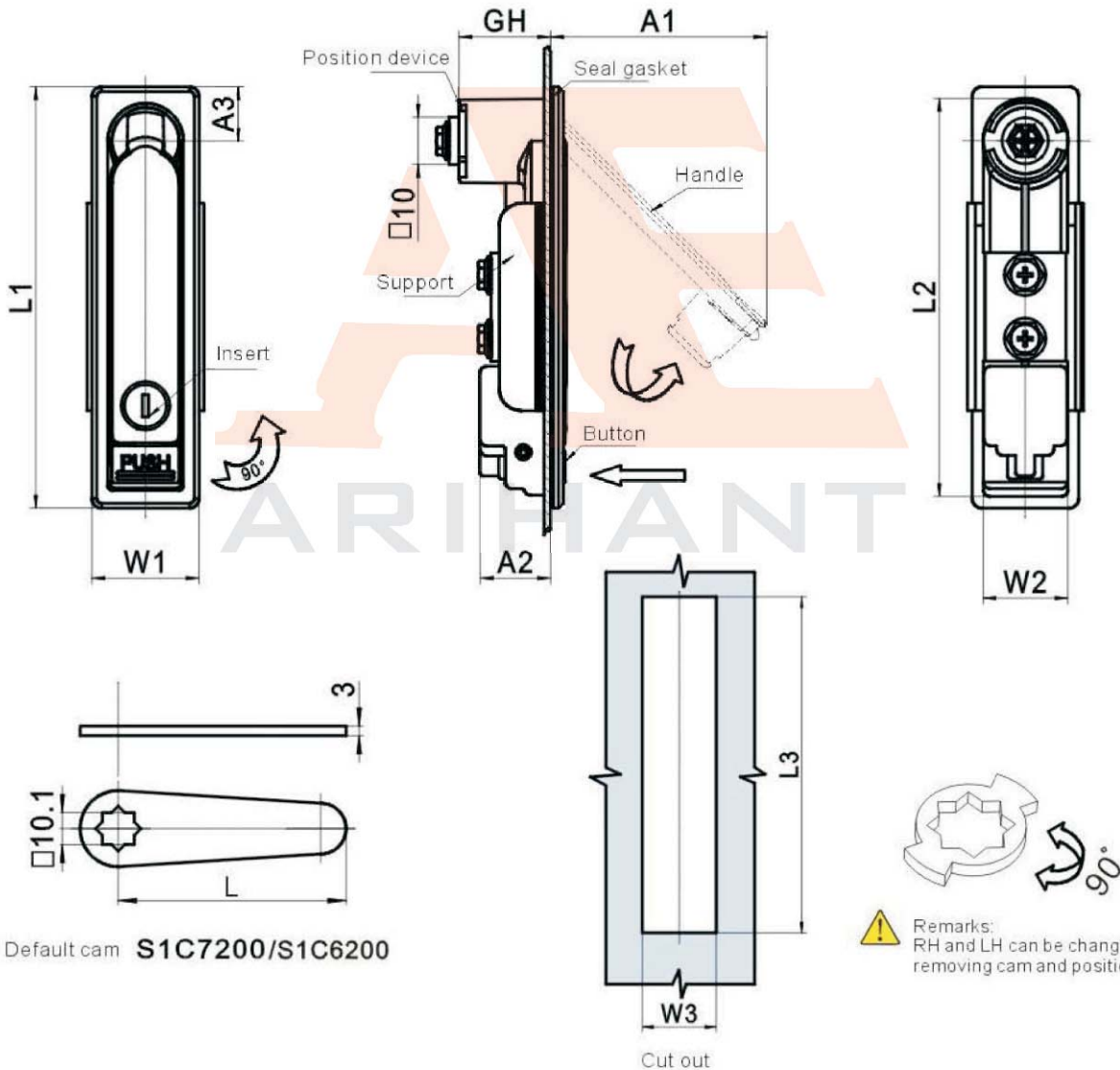
MS712

MS712-2A

MS713

MS712-3A

Main material and finish: Gray chrome-plated ZDC housing, button and handle, zinc-plated steel cam and support.



Default cam **S1C7200/S1C6200**

⚠ Remarks: RH and LH can be changed with removing cam and position device.

Cut out of cam □10, other cams refer to cam list.

MS713	110	102	103	33.5	26	27	30	53	22	17	S1C6200	K02
MS712-3A	92	84	85	33.5	26.5	27.5	30	31	22	17	S1C7200	K11
MS712-2A	132	124	125	33.5	26.5	27.5	30	68	22	17	S1C7200	K11
MS712	149	139.5	140.5	38	28.5	29.5	30	71	22	22.5	S1C7200	K04
CODE	L1	L2	L3	W1	W2	W3	GH	A1	A2	A3	Default cam code	Default key code