

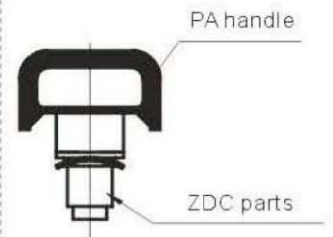
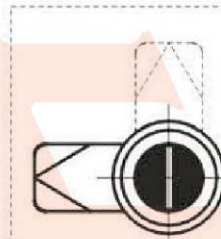
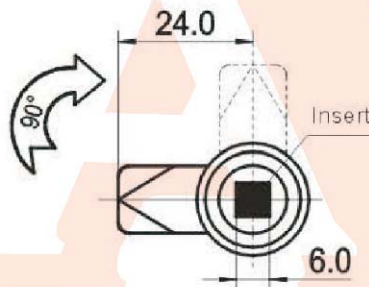
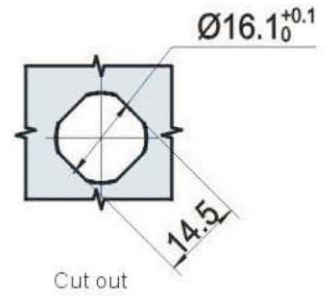
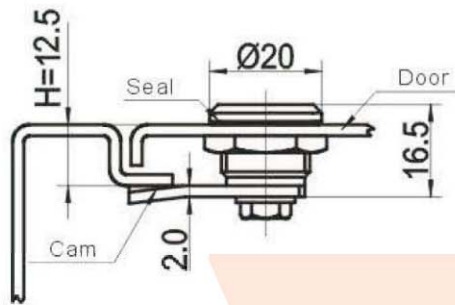
MS845



MS845-1



MS845-3



Square 6mm
MS845-1

Slot
MS845-2

Handle style
MS845-3

Main material and finish: Black powder coated ZDC housing, key and insert. Zinc-plated steel cam; PA handle.

MS845-3	Handle
MS845-2	Slot
MS845-1	Square 6mm
CODE	SPECIFICATION