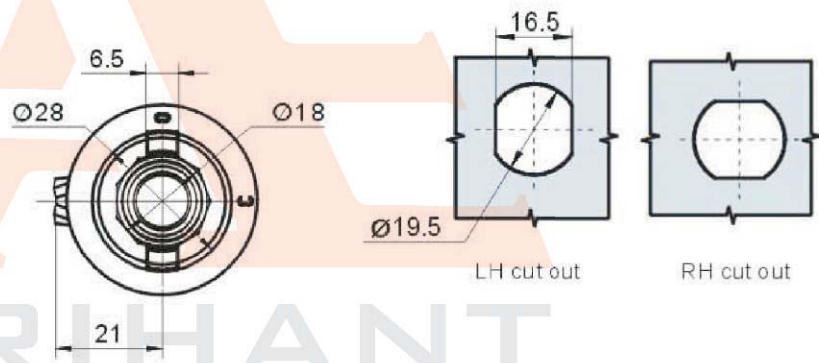
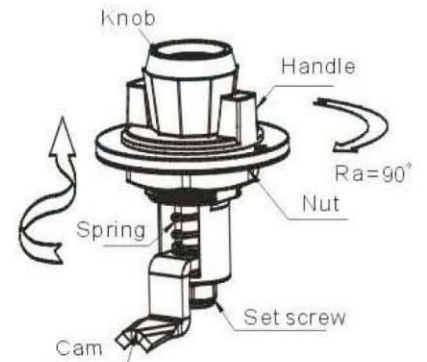
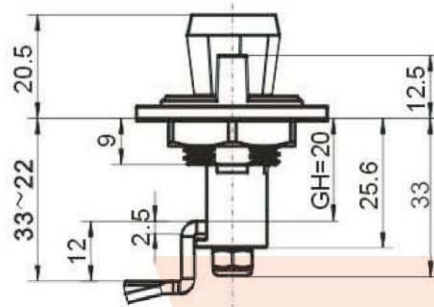




MS811-5



NEW



Main material and finish: Black PA handle and housing; zinc-plated steel cam.

ARIHANT