

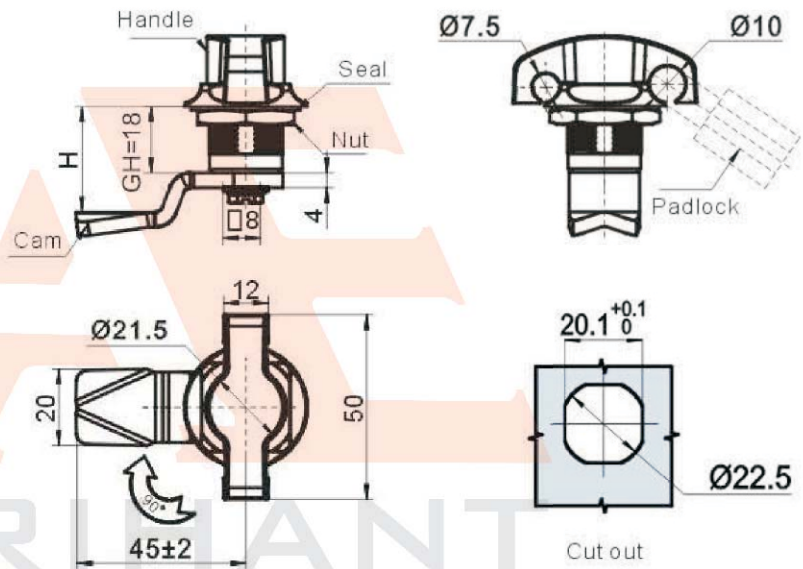


MS714-3

NEW



Main material and finish: Black powder coated ZDC handle and housing, zinc-plated steel cam.



Remarks: Cam & accessories selection refer to page1-001-006  
Default cam code S1B4507, i.e. H=25