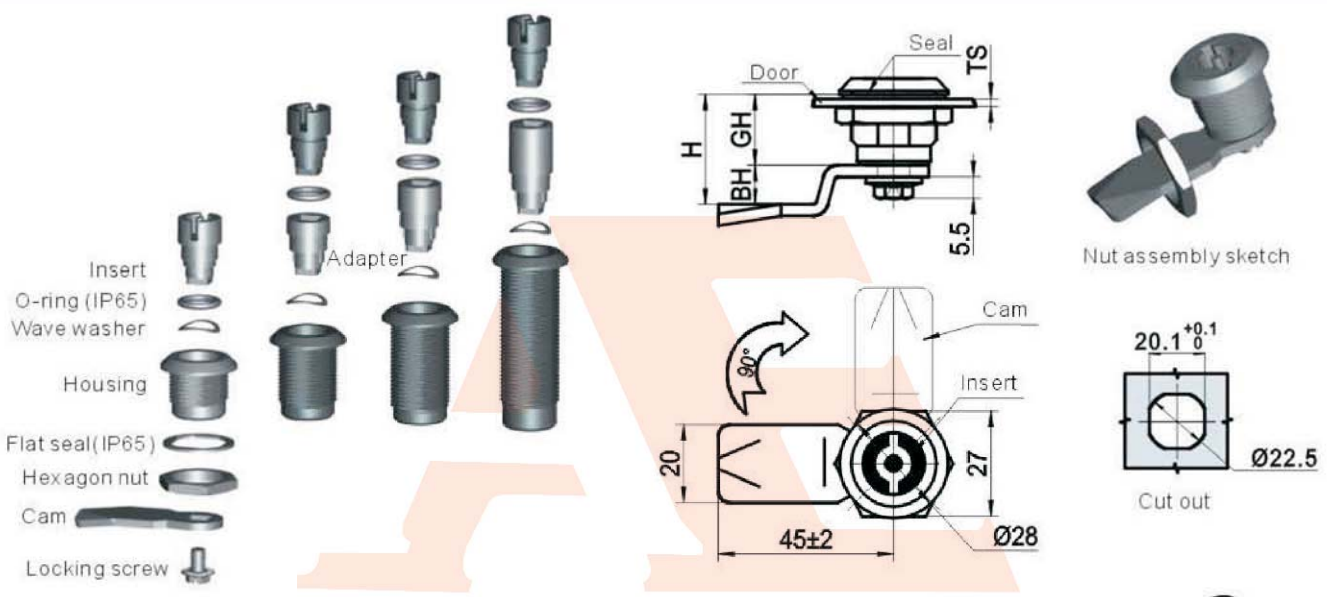




E-mail: info@aelocks.in // Website: www.aelocks.in

MS705



Specification	Ts=1-8 GH=18 code			Ts=1-22 GH=28 code		Ts=1-28 GH=36 code		Ts=1-52 GH=62 code		KEY FOR SELECTION
	ZDC housing, Insert	PA housing, ZDC insert	S.S. housing, insert	ZDC housing, insert	ZDC housing, insert	PA housing, ZDC insert	ZDC housing, insert	PA housing, ZDC insert		
Double bit (D=4)	MS705-1	MS705-1S	MS705-1B	MS705-2M-1	MS705-3M-1	MS705-3M-1S	MS705-H62-1	MS705-H62-1S	K15-1, K15-1F, K15-1A	
Double bit (D=3)	MS705-1A	MS705-1AS	MS705-1AB	MS705-2M-1A	MS705-3M-1A	MS705-3M-1AS	MS705-H62-1A	MS705-H62-1AS	K15-1, K15-1F, K15-1A	
Hooked	MS705-2	MS705-2S	MS705-2B	MS705-2M-2	MS705-3M-2	MS705-3M-2S	MS705-H62-2	MS705-H62-2S	K15-1	
Triangular 8mm	MS705-3	MS705-3S	MS705-3B	MS705-2M-3	MS705-3M-3	MS705-3M-3S	MS705-H62-3	MS705-H62-3S	K15-3, K15-3F	
8 x 8	MS705-4	MS705-4S	MS705-4B	MS705-2M-4	MS705-3M-4	MS705-3M-4S	MS705-H62-4	MS705-H62-4S	K15-4, K15-4F	
Square with soft	MS705-4A	MS705-4AS	MS705-4AB	MS705-2M-4A	MS705-3M-4A	MS705-3M-4AS	MS705-H62-4A	MS705-H62-4AS	K15-4, K15-4F	
Square 6mm	MS705-5	MS705-5S		MS705-2M-5	MS705-3M-5	MS705-3M-5S	MS705-H62-5	MS705-H62-5S	K15-5, K15-5F, K15-5A	
Square 7mm	MS705-6	MS705-6S		MS705-2M-6	MS705-3M-6	MS705-3M-6S	MS705-H62-6	MS705-H62-6S	K15-6, K15-6F	
Hexagon female	MS705-7	MS705-7S	MS705-7B	MS705-2M-7	MS705-3M-7	MS705-3M-7S	MS705-H62-7	MS705-H62-7S	K15-7, K15-7F	
Slot	MS705-8	MS705-8S		MS705-2M-8	MS705-3M-8	MS705-3M-8S	MS705-H62-8	MS705-H62-8S		
Hexagon male	MS705-9	MS705-9S		MS705-2M-9	MS705-3M-9	MS705-3M-9S	MS705-H62-9	MS705-H62-9S	K15-9, K15-9F	
Thorn	MS705-10	MS705-10S		MS705-2M-10	MS705-3M-10	MS705-3M-10S	MS705-H62-10	MS705-H62-10S	K15-10	
Flat cylinder	MS705-11	MS705-11S		MS705-2M-11	MS705-3M-11	MS705-3M-11S	MS705-H62-11	MS705-H62-11S	K15-11	
Triangular 7mm	MS705-12	MS705-12S		MS705-2M-12	MS705-3M-12	MS705-3M-12S	MS705-H62-12	MS705-H62-12S	K15-3, K15-3F	
Triangular 9mm	MS705-13	MS705-13S		MS705-2M-13	MS705-3M-13	MS705-3M-13S	MS705-H62-13	MS705-H62-13S		
Heptagon Male	MS705-14	MS705-14S		MS705-2M-14	MS705-3M-14	MS705-3M-14S	MS705-H62-14	MS705-H62-14S		
Triangular 10mm	MS705-15	MS705-15S		MS705-2M-15	MS705-3M-15	MS705-3M-15S	MS705-H62-15	MS705-H62-15S		
Concave with Soft	MS705-16	MS705-16S		MS705-2M-16	MS705-3M-16	MS705-3M-16S	MS705-H62-16	MS705-H62-16S		