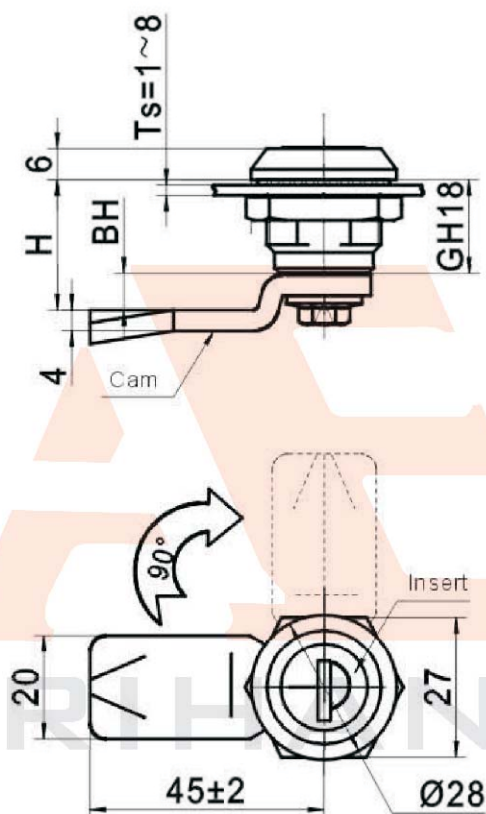


MS705-3E



Main material and finish: Black powder coated ZDC housing; zinc-plated steel cam.

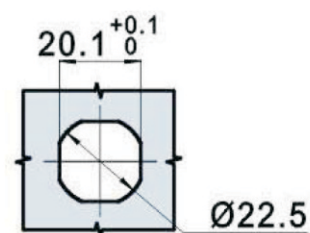
Remarks: Default key K14; Default cam: S1B4500.



HP001 for selection



WP001 for selection



Cut out