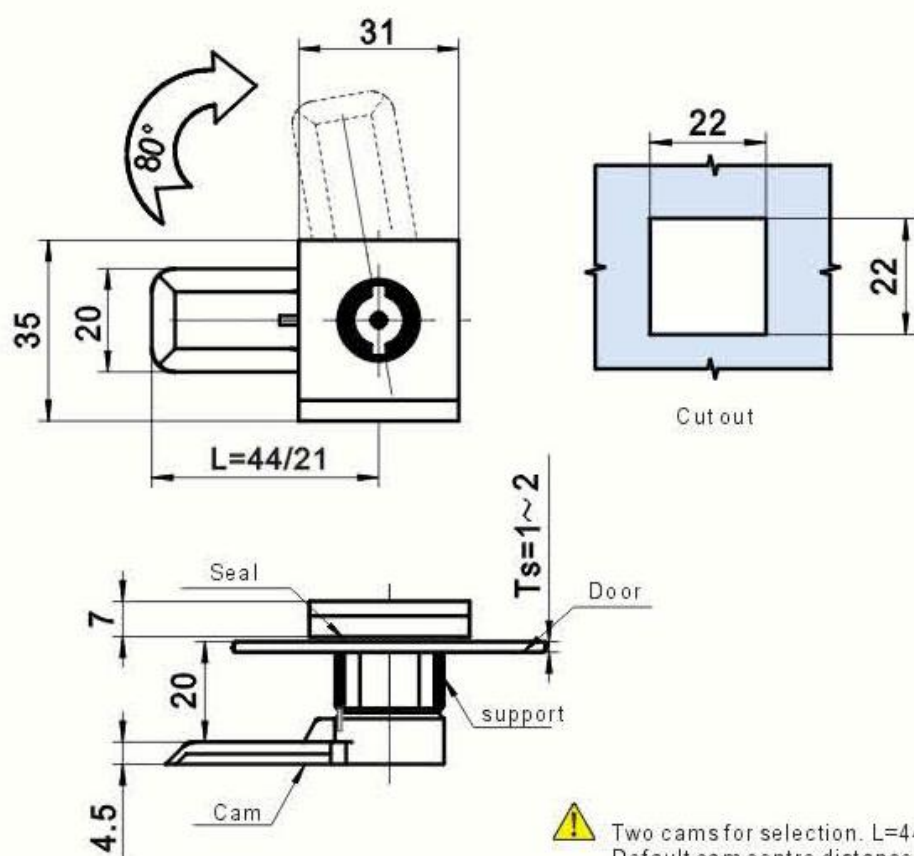
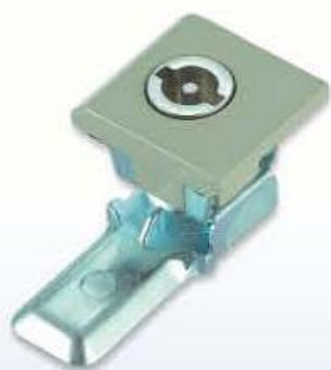


MS813



⚠ Two cams for selection. L=44 mm
Default cam centre distance
L=21 mm for selection.

Main material and finish: ZDC housing, insert and cam.

Remarks: The length of default cam: 44mm.