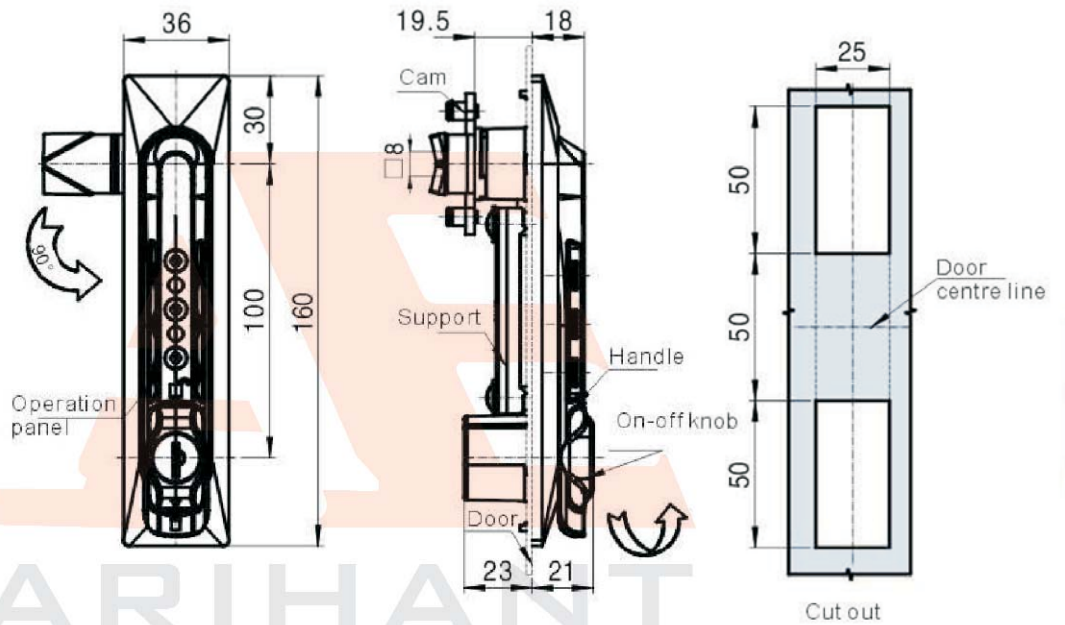




MS861-2A



Main material and finish: PA, Black.