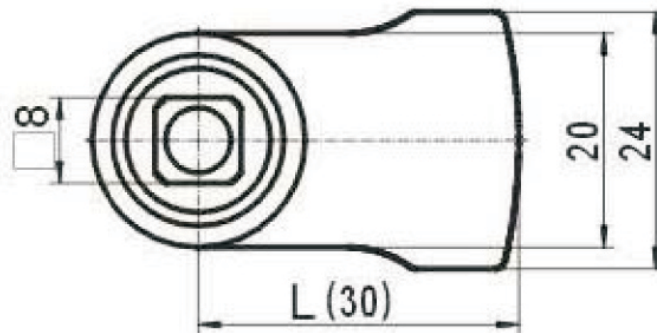
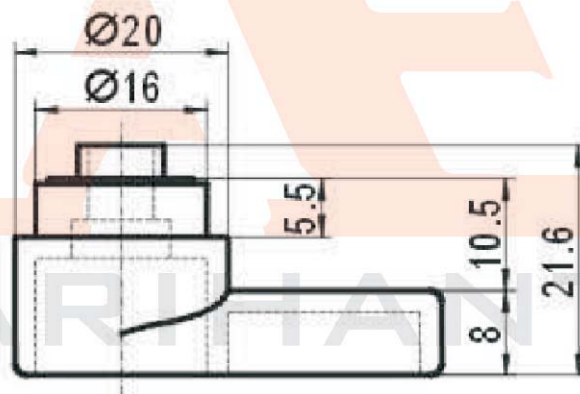


S1B3011D



Material: ZDC, match with MS840-1A rod drive mechanism.

S1B3011D	30
CAM CODE	L