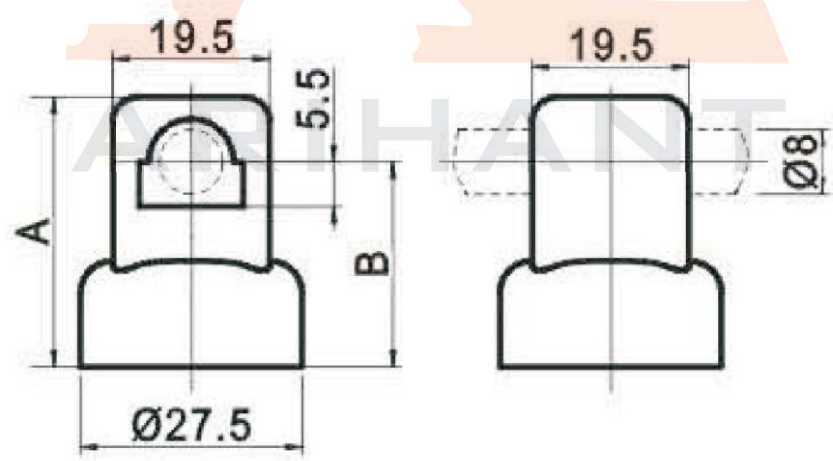




E-mail: info@aelocks.in // Website: www.aelocks.in

RG002



Black PA guide , nut inside.

RG002	RG002-1	RG002-2	RG002-3
A	32	38	42
B	24	30	34
Welding screw specification	M6×16	M6×20	M6×20