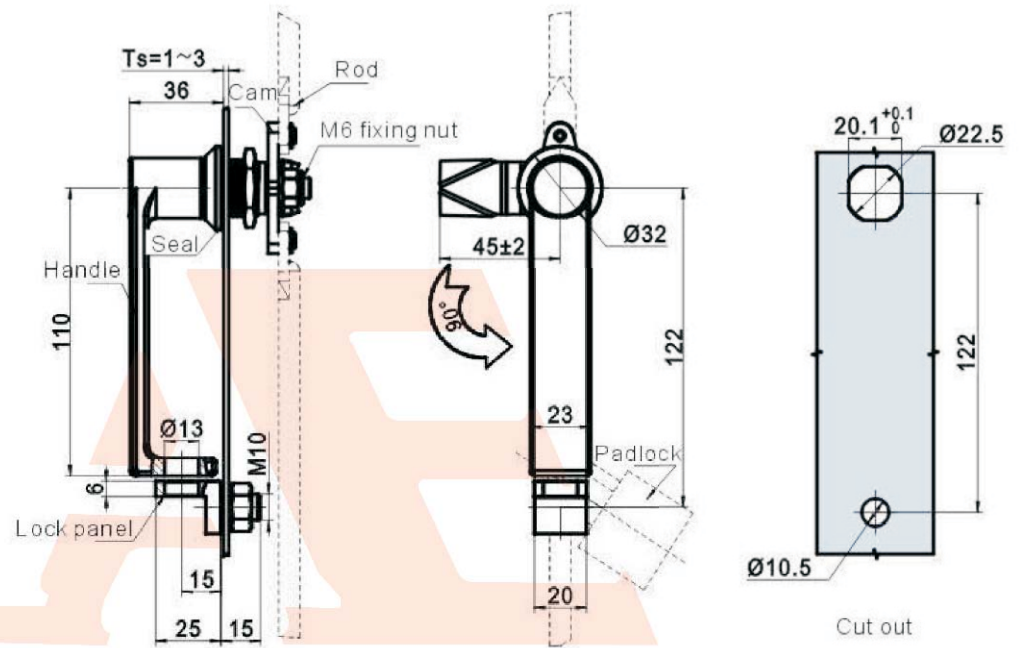


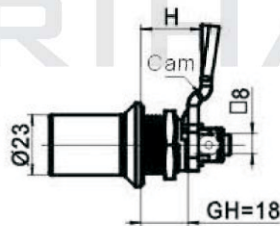


MS868



Main material and finish: Black powder coated, aluminum handle, housing, lock-pane; zinc-plated steel cam.

Remarks: Default cam S3B4508. For cam selection, refer to cam list.



⚠ Remarks:

De fault cam S3B4508, H=18+8; cam cut out 8X8, 3-points, 2-points or 1-point cam for selection, refer to cam list.