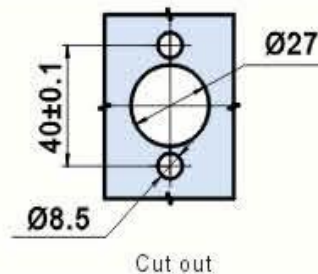
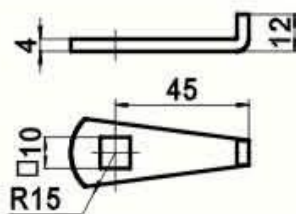
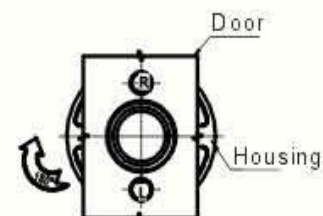
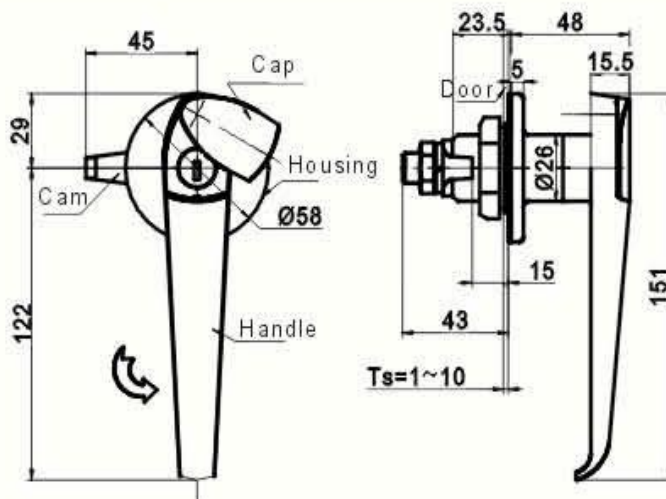


MS807-3



**Main material and finish:** Bright chrome-plated ZDC handle, housed, dustproof cap and insert; zinc-plated steel cam, washer, Shaft;

**Remarks:** Default key K05; For cam selection, refer to cam list;

Default cam drawing cam cut out  $\square 10$ mm. other cam selection refer fo cam list.

Default code is marked with "●". For code without "●", MOQ 200pcs.

● MS807-3	● MS807-3-Y	● MS807-3-Z	MS807-3B	MS807-3B-Y	MS807-3B-Z
60° for LH/RH	90° RH	90° LH	60° for LH/RH	90° RH	90° LH
ZDC housing, handle, cap			S.S. housing, handle, cap		
CODE					