



E-mail: info@aelocks.in // Website: www.aelocks.in

**MS301
MS302**



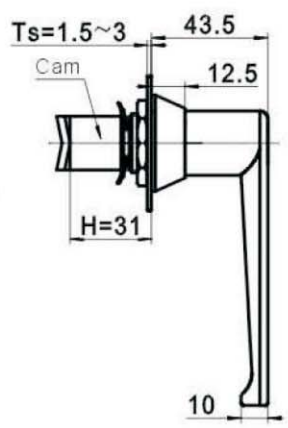
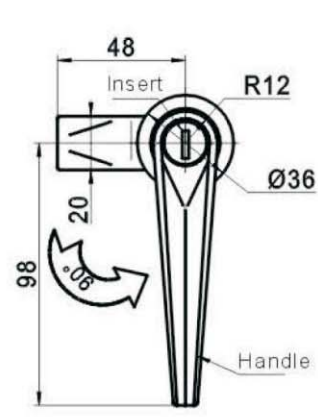
MS301



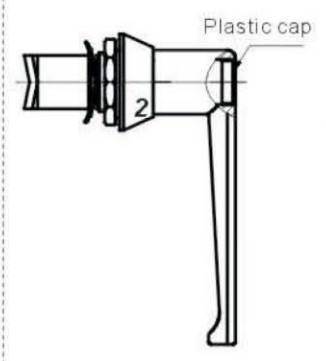
MS302-1



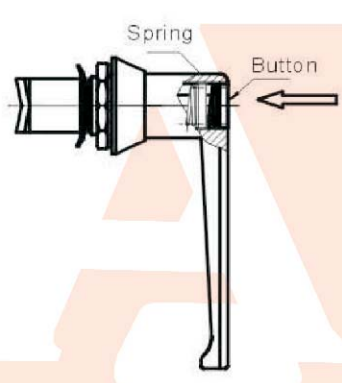
MS302-2



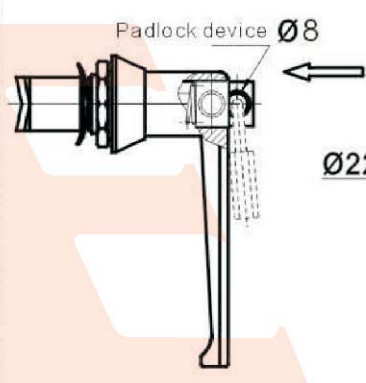
MS301-1



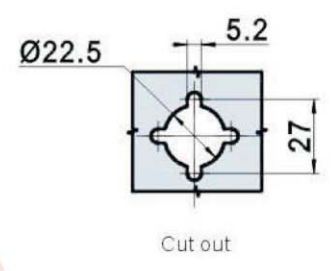
MS301-2



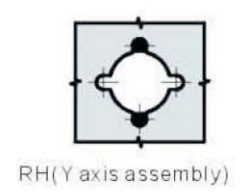
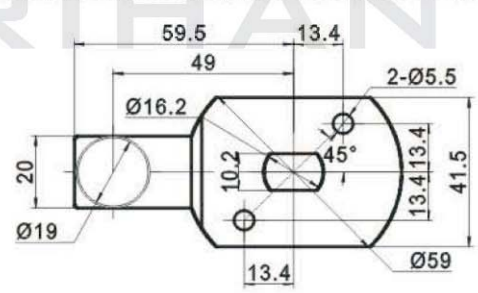
MS302-1



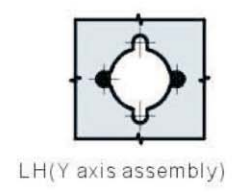
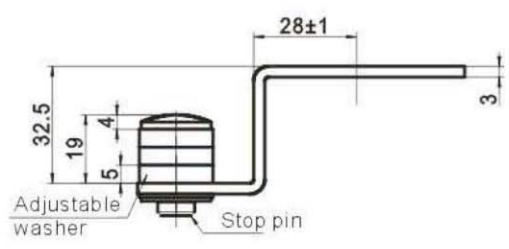
MS302-2



Cut out



RH(Y axis assembly)



LH(Y axis assembly)

Main material and finish: Bright chrome-plating ZDC handle and housing, zinc-plating steel cam, chrome steel button and Shaft,
Remarks: Default key K05.

3-points cam for selection



Default code is marked with "●". For code without "●", MOQ 500pcs

MS302-2	With padlock device
MS302-1	With button
MS301-2	Without insert
● MS301-1	With insert
CODE	SPECIFICATION