

MS327 电子锁 ELECTRONIC LOCK



材质及表面处理: 手柄锌合金, 黑色喷涂; 黑色尼龙电子盒;

备注: 此柜锁可竖向安装和横向安装, 可装三点带齿条连动以及两点、两点、单点钢栓, 在不同高度的门柜内, 可以增加和减少连接件, 来实现止口高度的要求;

用途: 主要适用于高压电力系统;

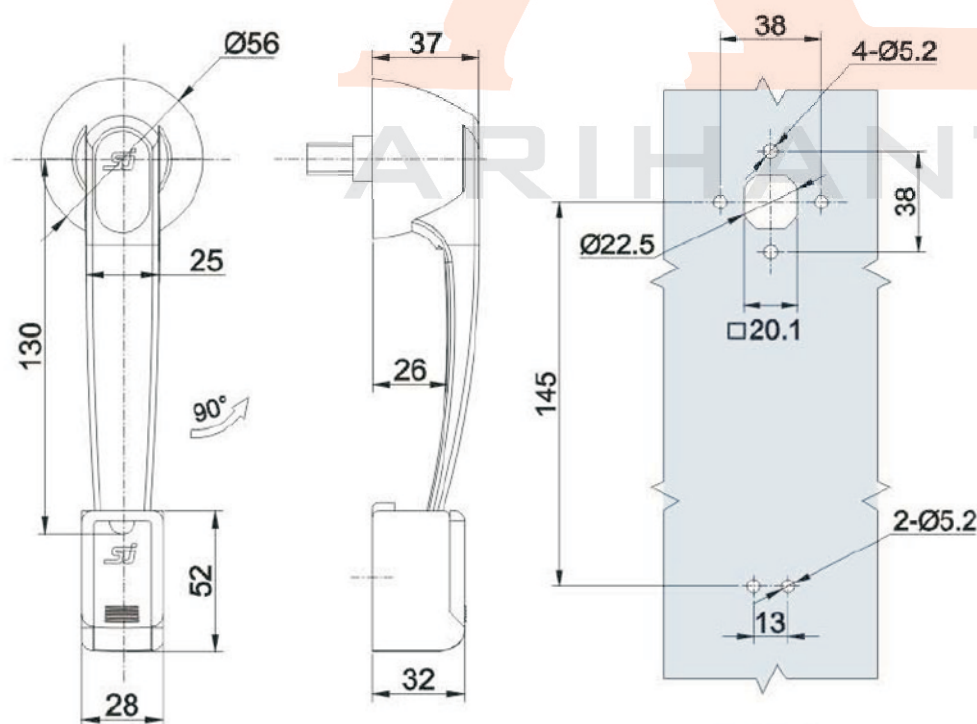
结构: 此锁电源由外部输入, 所装电力柜内部无需电源。在外部电源输入的情况下(即装有电子感应的钥匙), 开启电子盒, 手动拉开方盒, 手柄与电子盒脱离, 转动手柄, 即实现开门。

Material and surface finish: ZDC handle, black powder coated; black nylon electronic box.

Remark: this lock can be installed by vertical direction or transverse direction, and can fix with three point locking driver rods or two point, or one point cam. According to the different cabinet height to increase or reduce the connector, to affect the H size requirement.

Application: mainly suitable for high pressure power system.

Structure: this lock's power input form exterior, the cabinet inside no need the power. When the power input from exterior(just use the key fixed with electronic sensing), open the electronic box, pull open the box by hand, then handle and electronic box is detached, rotat the handle, to achieve opening the door.



开孔尺寸
Panel Drilling Dimensions

可配
S1B/S3B系列钢栓
Mb0传动机构

