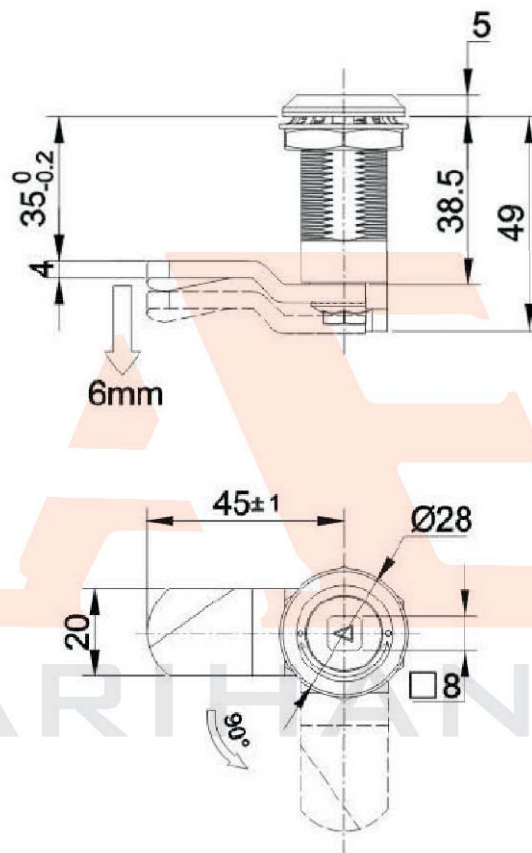




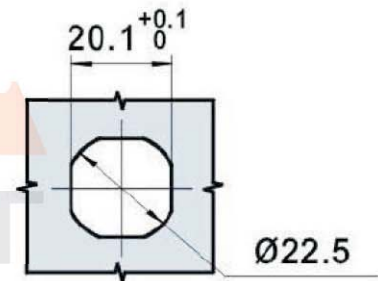
MS816-4B



HP001选配



WP002选配



开孔尺寸
Panel Drilling Dimensions

材质及表面处理: 不锈钢基座、锁芯, 镀锌钢转轴、钢栓;
备注: 转轴、锁芯螺旋式一体式连接。
锁芯旋转扭力 $\leq 30N \cdot m$, 钢栓最大承载力 $1000N$;

Material and surface finish: stainless steel housing, cylinder; zinc plated steel shaft and cam.

Remark: shaft and cylinder spirally joint. Cylinder rotating torsion $\leq 30N \cdot m$, the Max load capacity $1000N$.