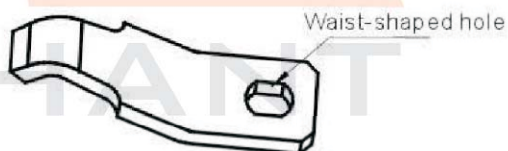
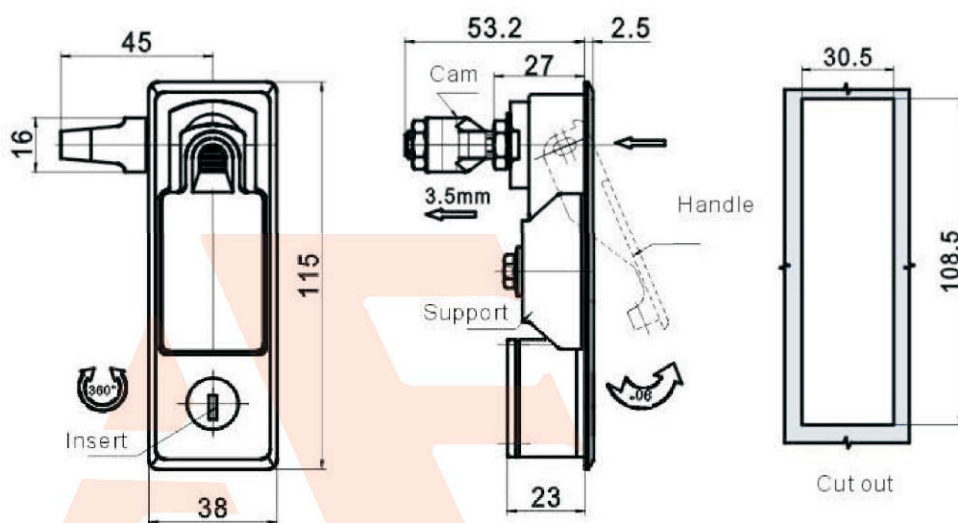


MS727



Main material and finish: Black powder coated ZDC housing; bright chrome-plated ZDC handle; zinc-plated steel cam.

Remarks: Default key K02.

Remarks: MS716-1 cam for selection