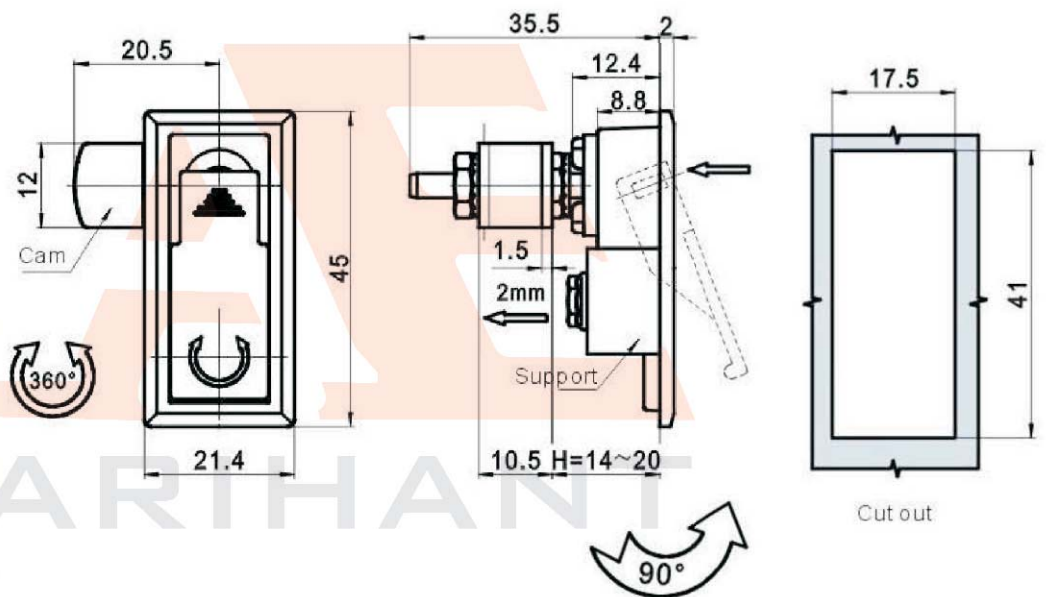




MS726-3



Main material and finish: Black powder coated ZDC housing, handle; stainless steel cam.