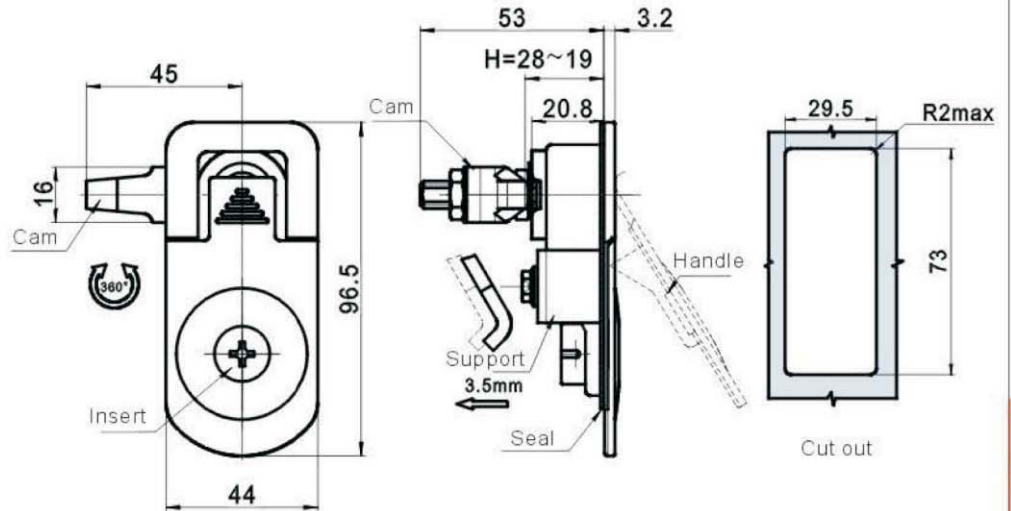
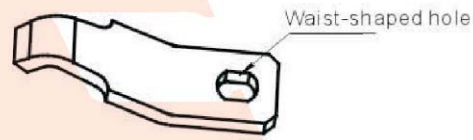


MS726-1A

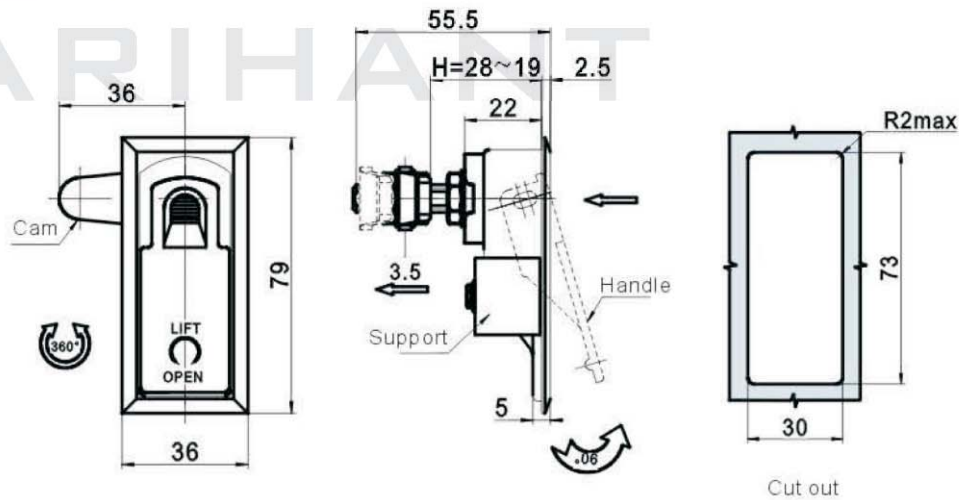


Main material and finish: Blast-sprayed and bright chrome-plated ZDC housing, handle and insert, zinc-plated steel cam.

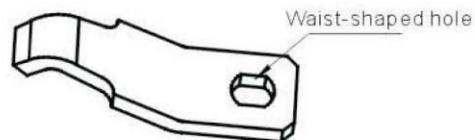


Remarks: MS716-1 cam for selection

MS726-2



Main material and finish: Black powder coated ZDC housing, handle; zinc-plated steel cam.



Remarks: MS716-1 cam for selection