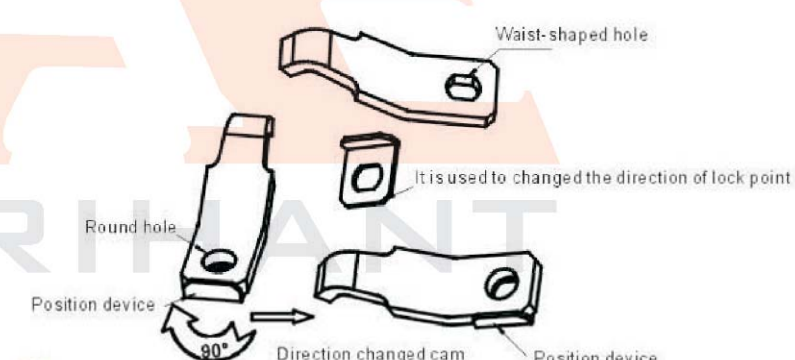
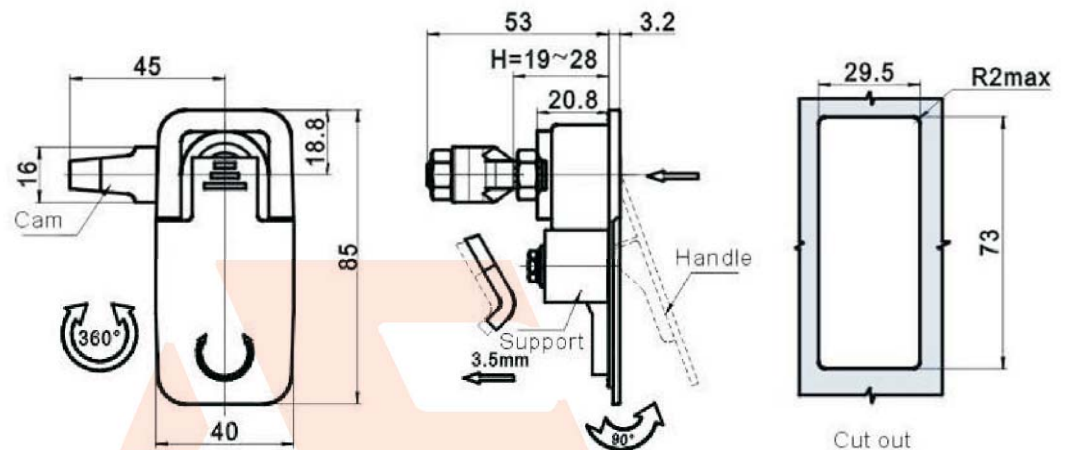


MS726-1



Main material and finish: Black powder coated ZDC housing, handle; zinc-plated steel cam.



Lock point on the upside of housing when locked

lock point on the side of housing when locked