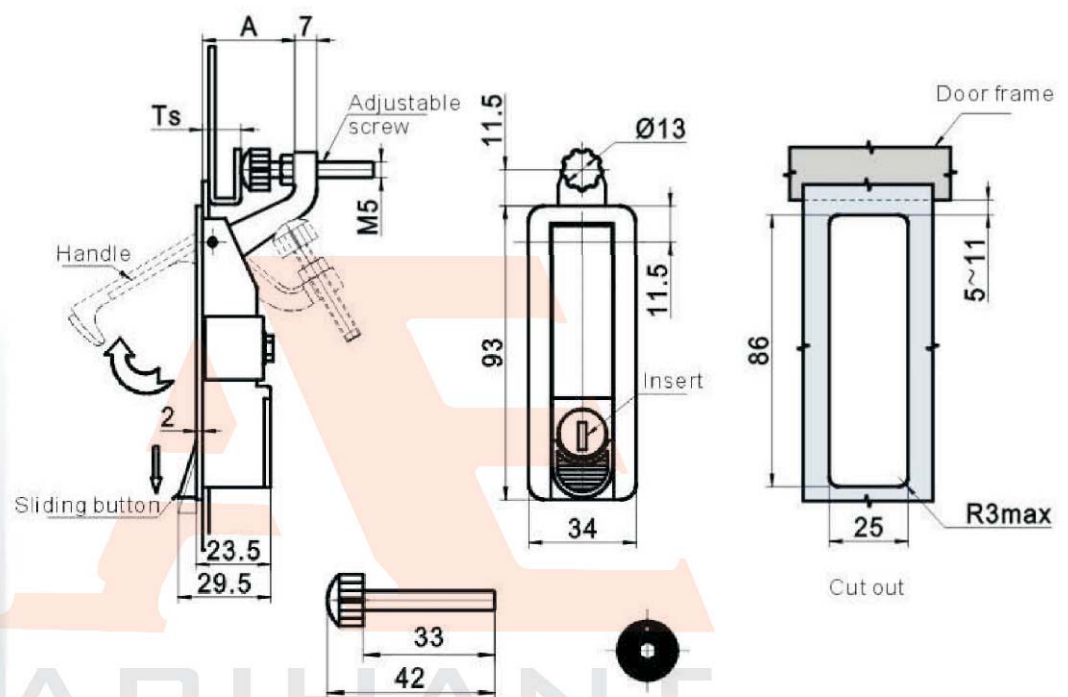


MS719



Remarks: default screw is adjustable others on request, MOQ 500PCS

Remarks: 4mm inner hex lock insert for selection, match with K07 key

Main material and finish: Black powder coated ZDC housing, handle and button; zinc-plated steel screw with PA knob.

Remarks: Default key K02.

MS719-2A	50	Without insert	23-41
MS719-2	50	With insert	23-41
MS719-1A	29	Without insert	1-20
MS719-1	29	With insert	1-20
CODE	A	Button	Ts