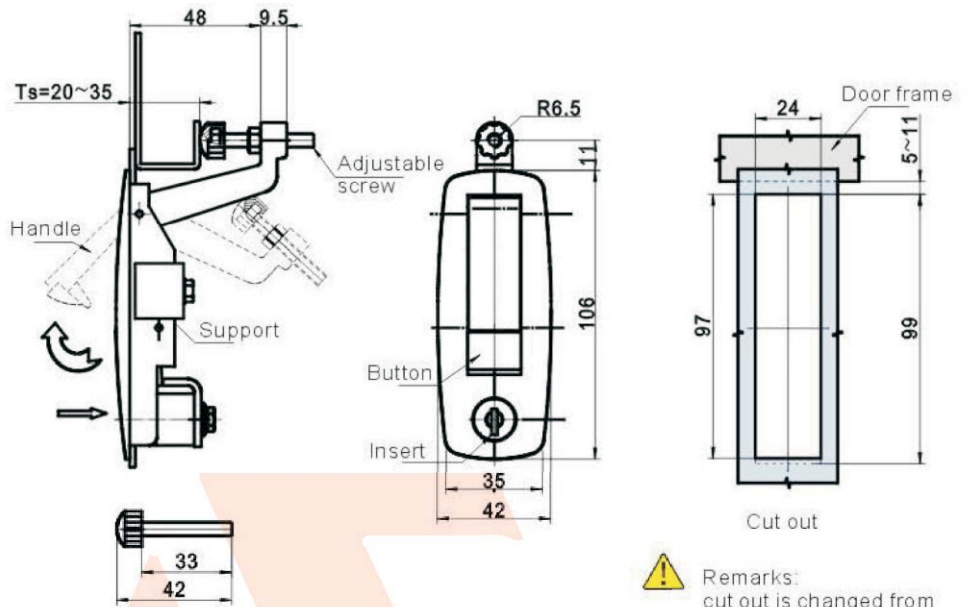


MS718

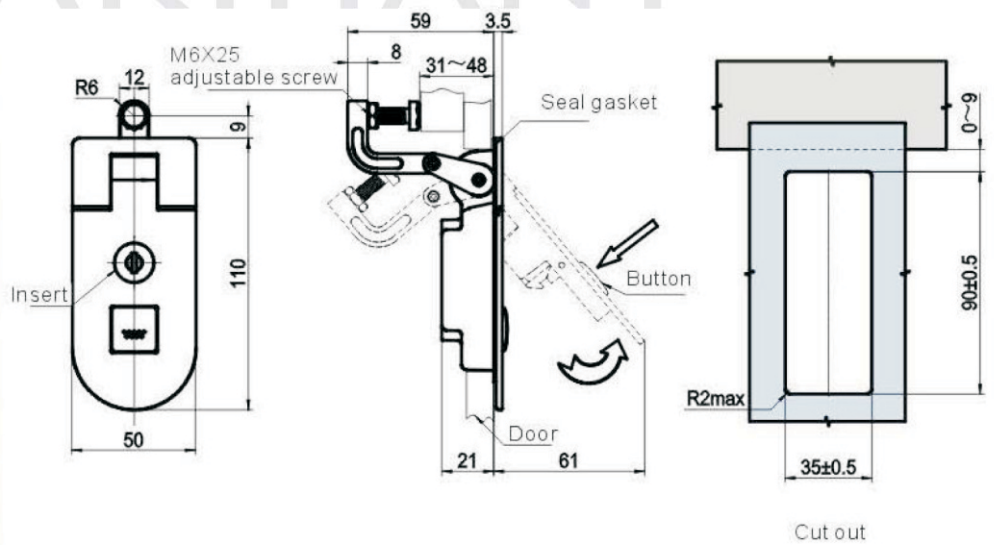


Main material and finish: Black powder coated ZDC housing, handle and button; zinc-plated steel screw with PA knob.
Remarks: Default key K18; K16 for selection.

Remarks: default screw is adjustable others on request, MOQ 500PCS

Remarks: cut out is changed from 99mm to 97mm.

MS718-3



Main material and finish: Black powder coated ZDC housing, handle and button; zinc-plated steel screw.
Remarks: Default key K16.