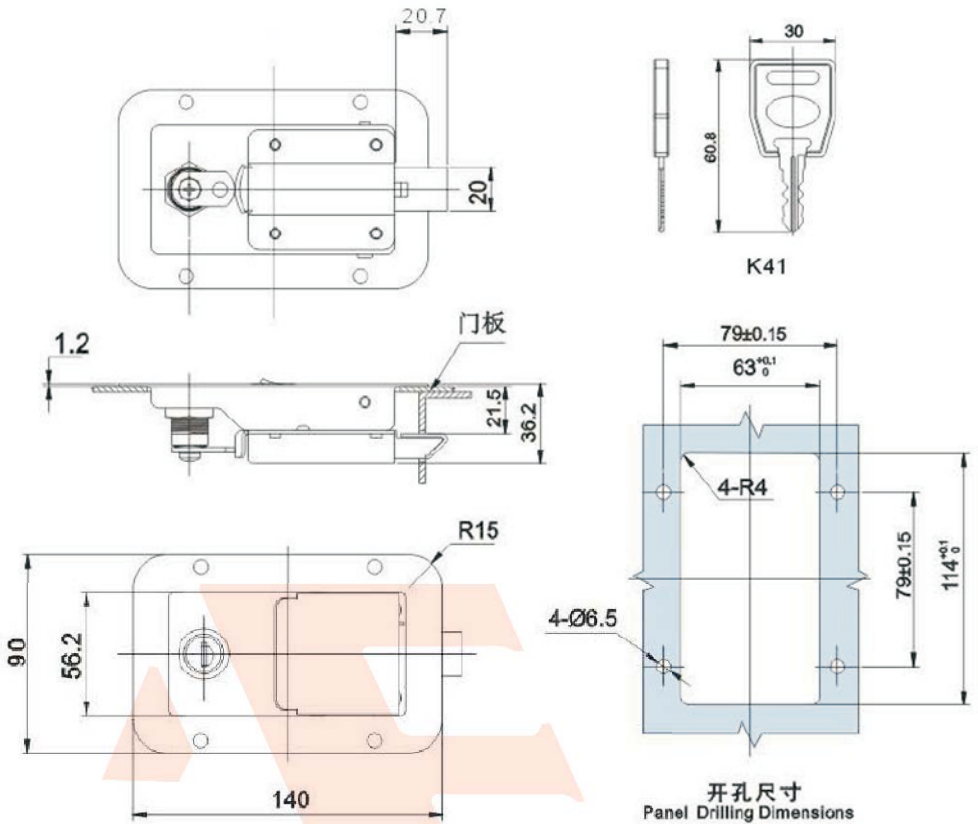




MS866-7

NEW



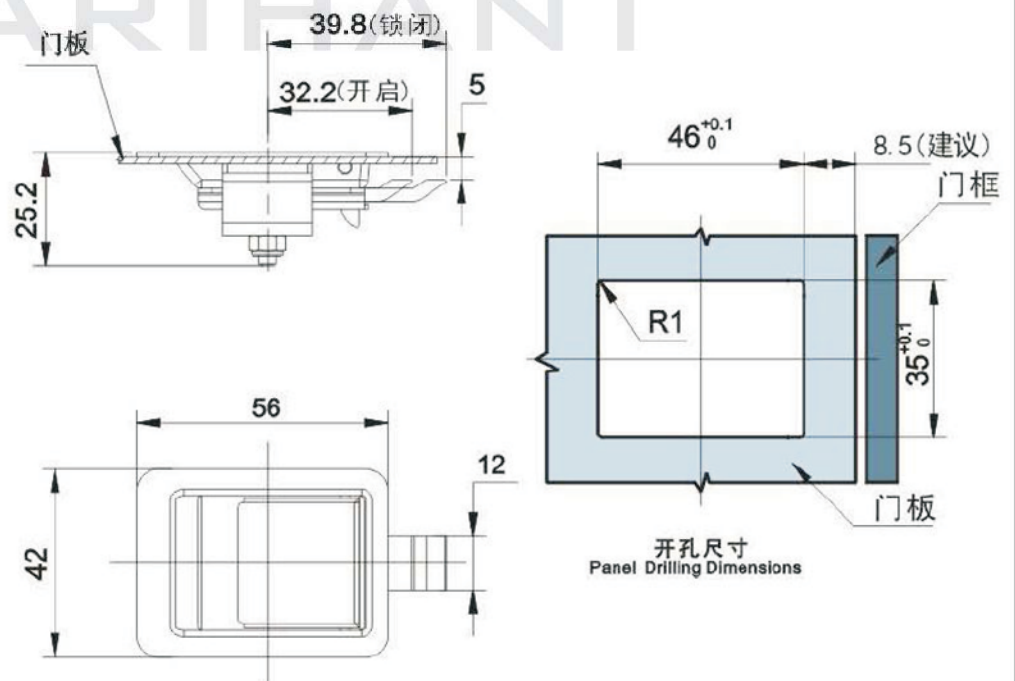
材质及表面处理: 不锈钢锁栓、锁柱, 锌合金锁头。
备注: 默认钥匙K41

Material and finish: Stainless steel lockbody and locktongue, ZDC cylinder lock.

Remark: Default key K41

MS866-8

NEW



材质及表面处理: 整锁不锈钢, 抛光处理。

Material and finish: Full lock in stainless steel, with polishing treatment.