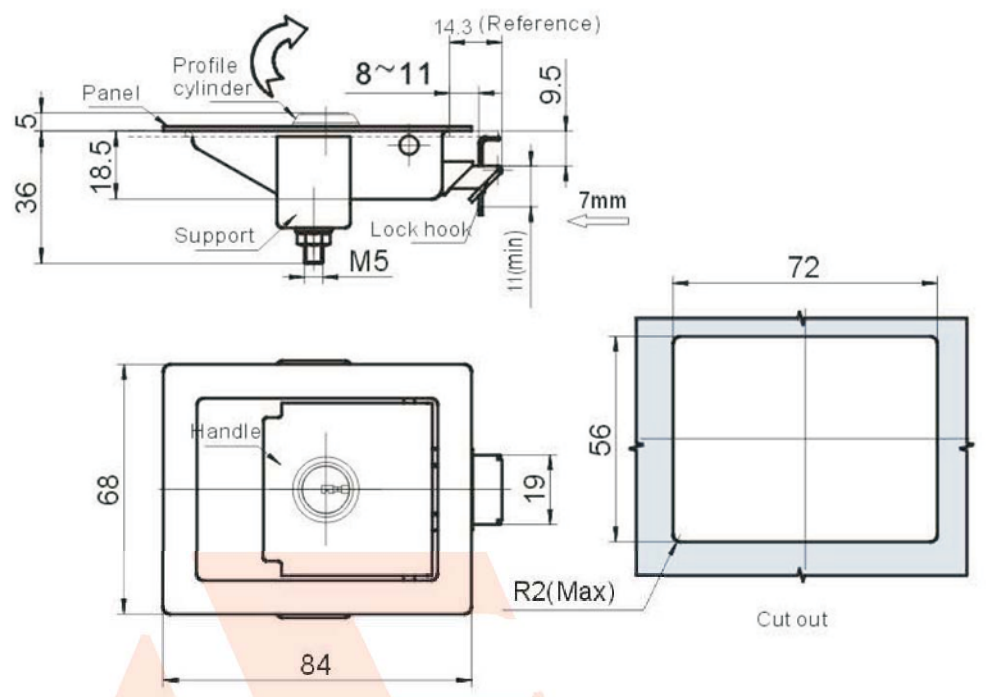




E-mail: info@aelocks.in // Website: www.aelocks.in

**MS866-4**



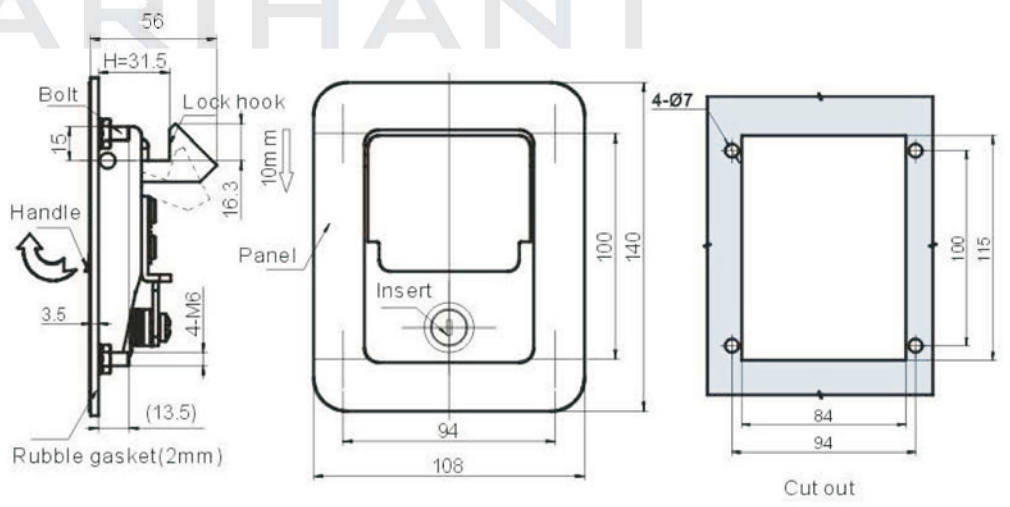
**Main material and finish:** Black powder coated steel panel and handle; Zinc plated steel lock-tongue, support and blast-spraying and nickle plated ZDC profile cylinder.

MS866-4A	Steel	Without insert	Black powder coated
• MS866-4	Steel	With insert	Black powder coated
CODE	MATERIAL	INSERT	FINISH

**MS866-5**



Catcher for selection



**Main material and finish:** Black powder coated steel panel and handle; Zinc plated steel lock-tongue, bright chrome plated ZDC profile cylinder.

**Remarks:** Default key K08.

Remark: There are three specifications for use height (H=31.5/44/55); The default product is without catcher.

MS866-5A	Steel	Without insert	Black powder coated
• MS866-5	Steel	With insert	Black powder coated
CODE	MATERIAL	INSERT	FINISH