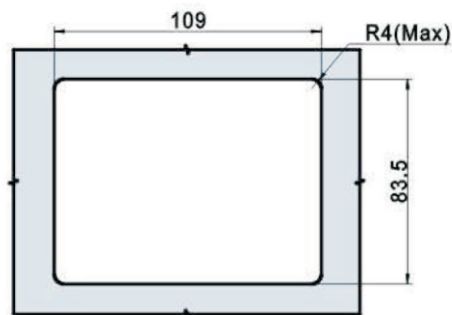
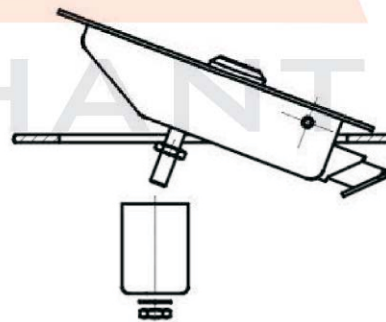
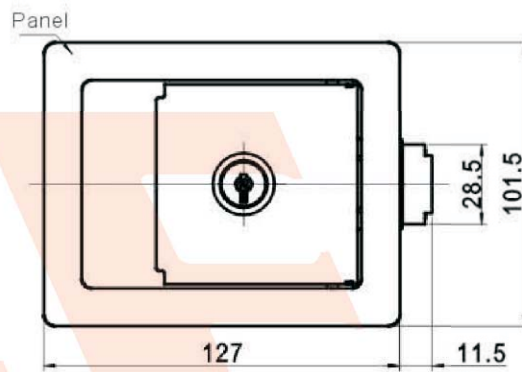
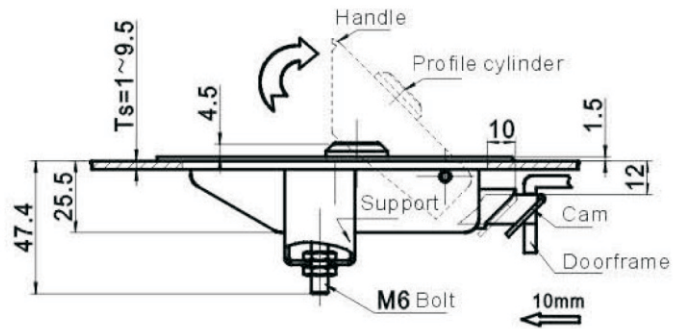


MS866-3



Cut out

Main material and finish: Black powder coated steel panel and handle; Zinc plated steel lock-tongue, support and weld-screw; Black powder coated ZDC profile cylinder.

Remarks: Default key K16.