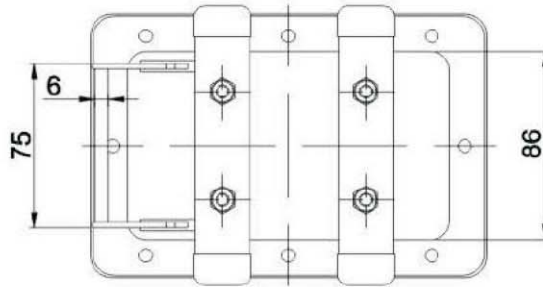


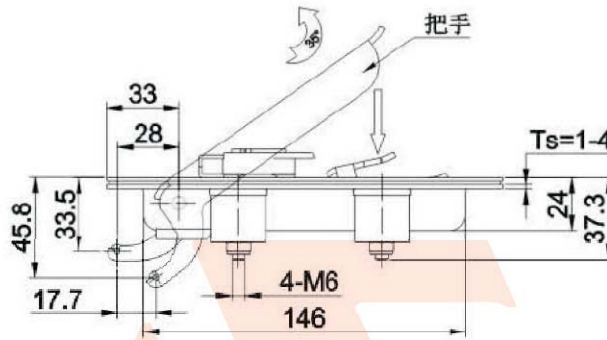


MS866-11

NEW



默认钥匙K08-3

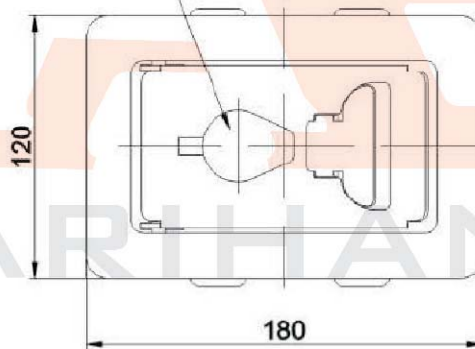


选配钥匙K08

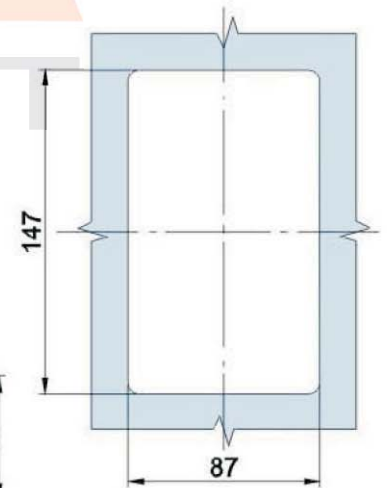


选配钥匙K08-2

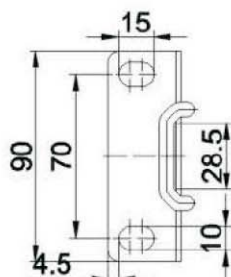
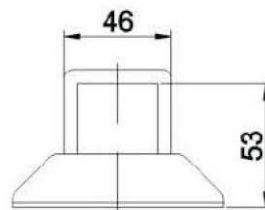
防水盖 (wp003)



产品型号: MS866-11



开孔尺寸
Panel Drilling Dimensions



材质及表面处理: 镜面抛光不锈钢面板、把手、按钮, 镀铬锌合金锁头; 304不锈钢压板、橡胶屏蔽罩壳; 备注: 默认钥匙:K08-3, 图中其他钥匙可供选配; 镀锌钢固定扣可按需要选配, 默认不配。

Material and surface finish: mirror-polish stainless steel panel, handle and button; bright chrome-plated ZDC cylinder. SUS304 cover, rubber shielding case.

Remark: default key K08-3, other keys for selection; zinc plated steel fixed button select to order, regularly no matching.

注释: MS866-11的附件固定扣, 材质为镀锌钢。默认不配, 客户若需要此件, 请在订单里注明。