



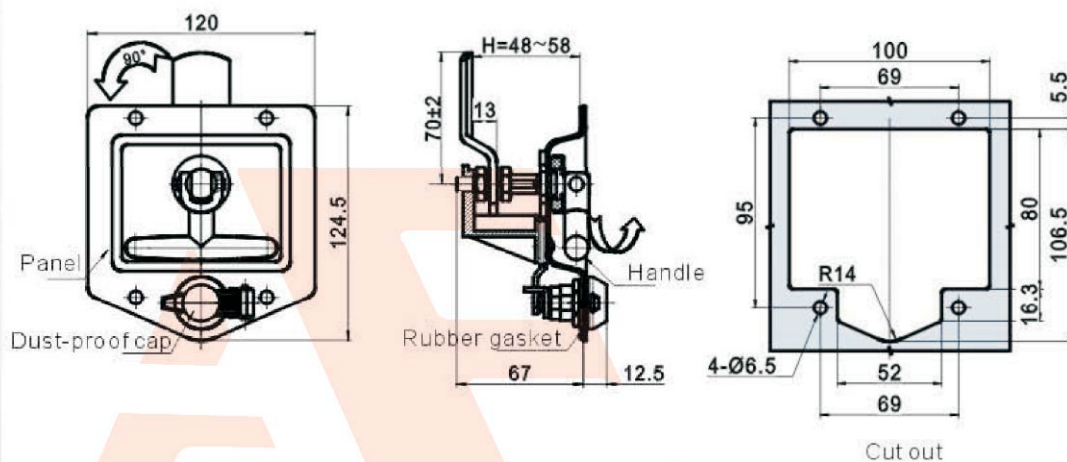
MS858



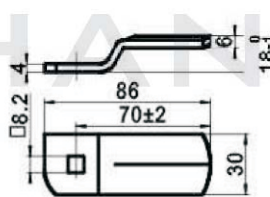
WP003 water-proof cap for profile cylinder (for selection)

**Main material and finish:** ZDC bracket, dustproof-cap, Mirror-polish stainless steel panel; Bright chrome plated ZDC handle and axis-sheath; Zinc plated shaft; Stainless steel cam.

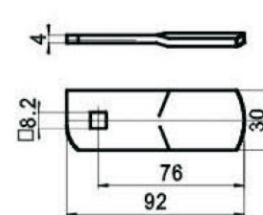
**Remarks:** Default Key K13.



Panel for selection



Cam for selection: S1B6706D, H=21~31



Cam for selection: S1B6700D, H=35~45