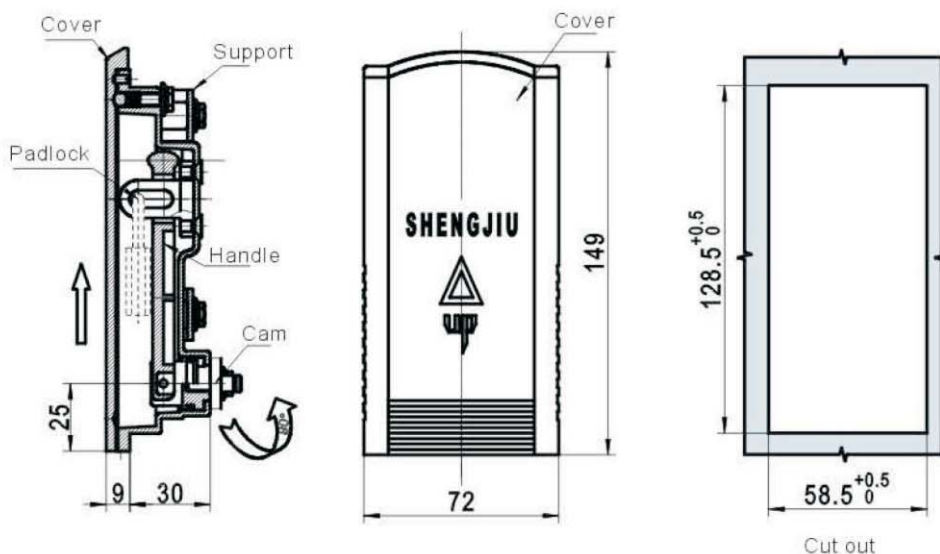
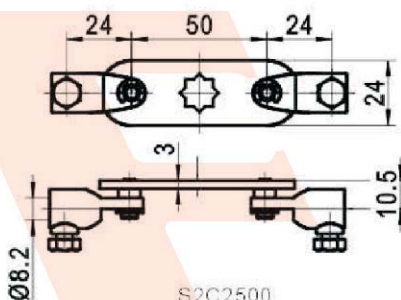


MS850-1

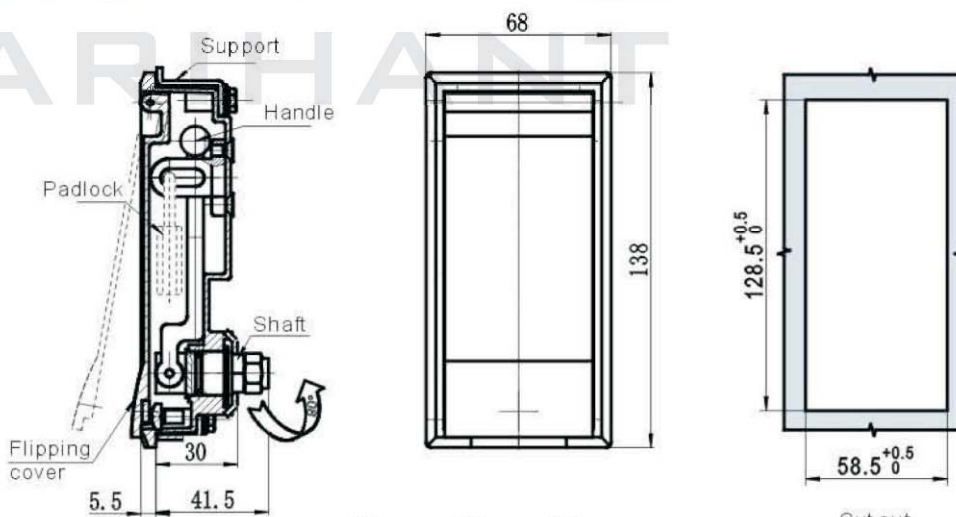


Main material and finish: Gray powder coated ZDC handle, housing, cover and padlock-device; Zinc-plated steel cam and support.

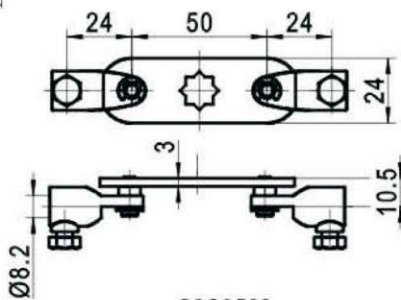


S2C2500
2-points cam with cam housing

MS850-1A



Main material and finish: Gray powder coated ALU handle, housing, cover; ZDC padlock-device; Zinc plated steel camshaft and support.



S2C2500
2-points cam with cam housing