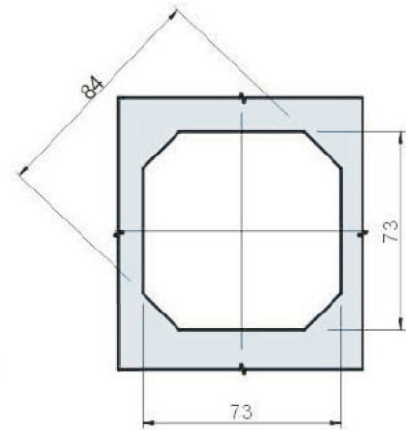
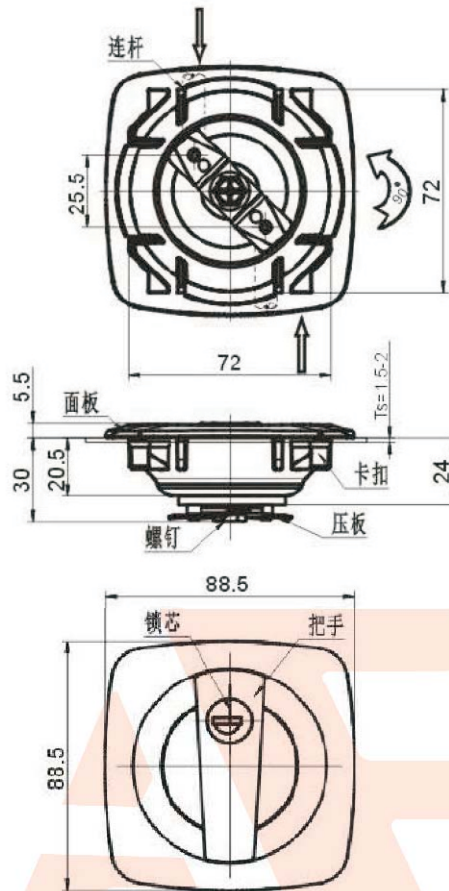


MS870



开孔尺寸
Panel Drilling Dimensions

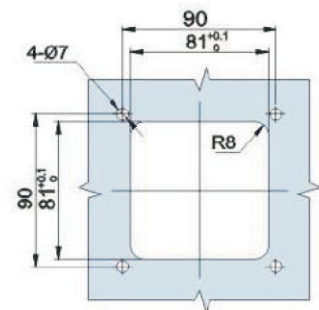
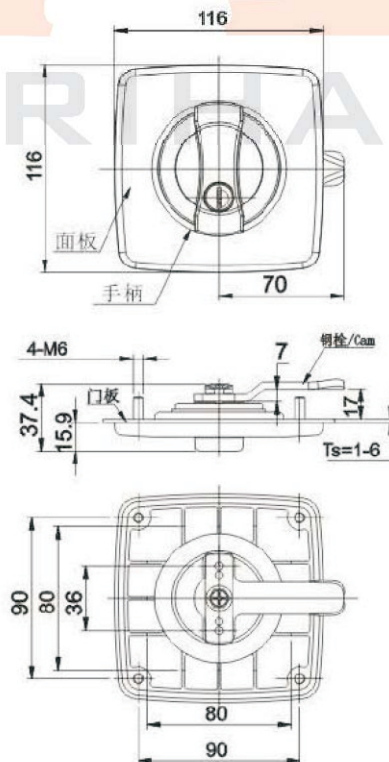
材质及表面处理: 黑色PA

备注: 默认钥匙K16;

Material and finish: Black PA;

Remarks: default Key K16

MS870-2



开孔尺寸
Panel Drilling Dimensions

材质及表面处理: 手柄面板详见表格, 镀锌钢柱。

备注: 默认钥匙K16。

Material and finish: Please refer to the sheet for details of handle and panel, zinc-plated steel cam.

Remark: Default key K16.

MS870-3	尼龙面板/锌合金手柄
MS870-2F	尼龙面板/手柄
MS870-2	锌合金面板/手柄
产品型号(MODEL)	特征描述(SPECIFICATION)