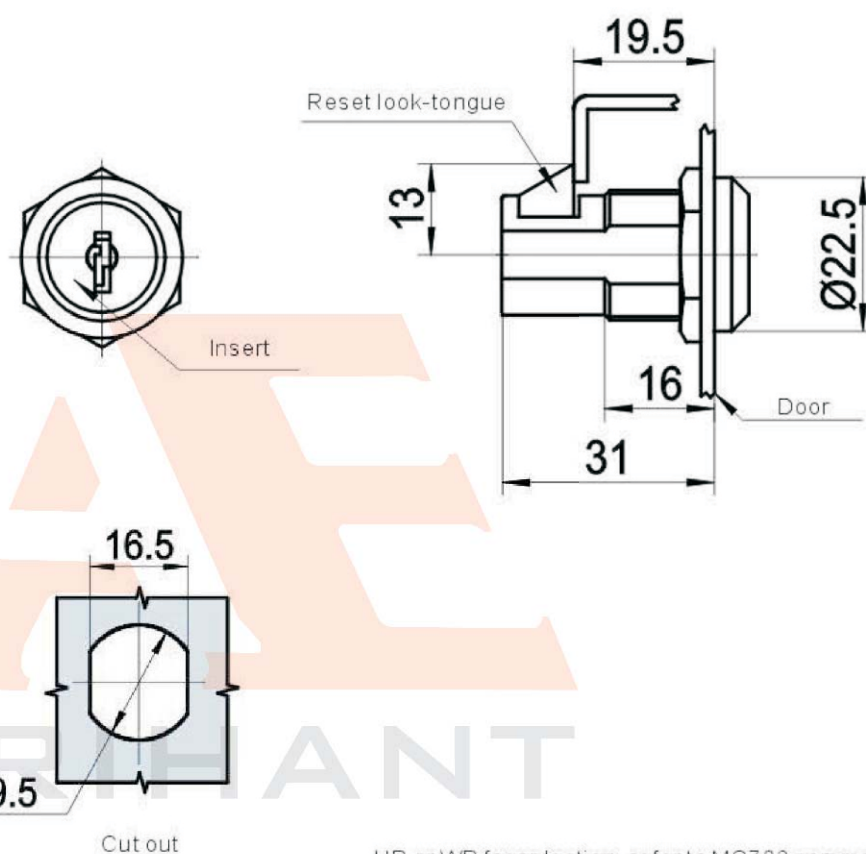


**MS826**


**Main material and finish:** Bright chrome-plated ZDC housing, lock-tongue; zinc-plated locking-washer.

**Remarks:** Default key k16;

HP or WP for selection, refer to MS706 comment.