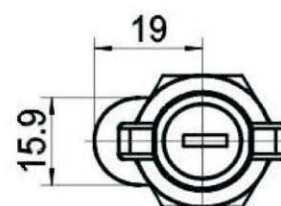
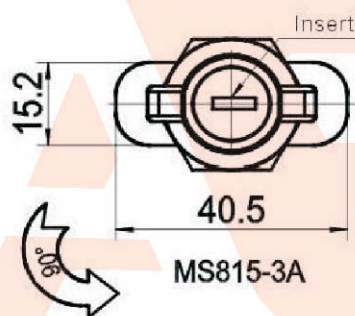
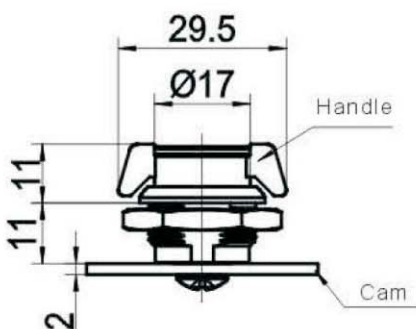
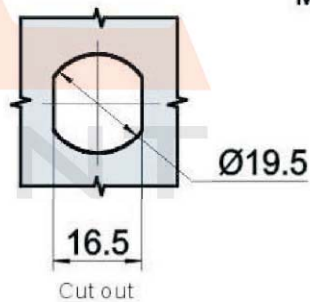




MS815-3



MS815-3B



Main material and finish: Black powder coated ZDC housing;
zinc-plated steel cam.

Remarks: Default key K17.