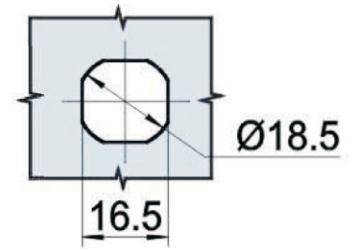
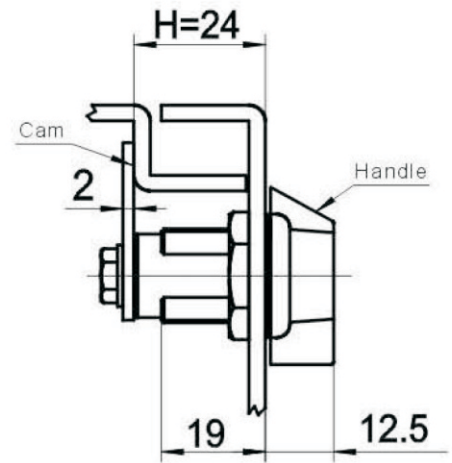
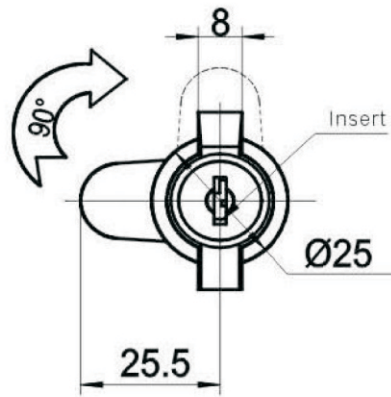


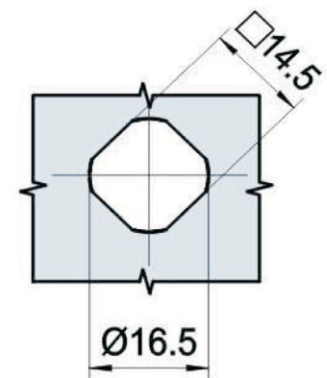
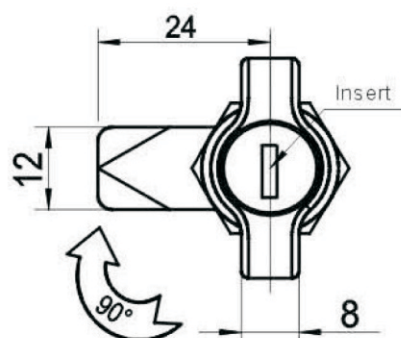
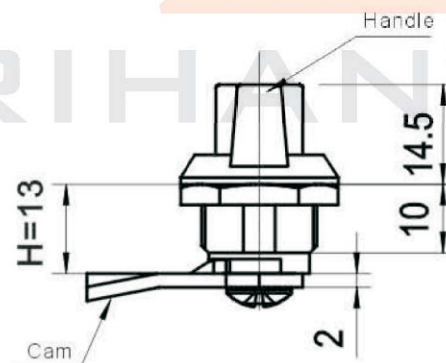
MS815-1



Cut out

**Main material and finish:** Black powder coated ZDC housing, insert, zinc-plated steel cam.  
**Remarks:** Default key K24.

MS815-2



Cut out

**Main material and finish:** Black powder coated ZDC housing; zinc-plated steel cam.  
**Remarks:** Default key K17.