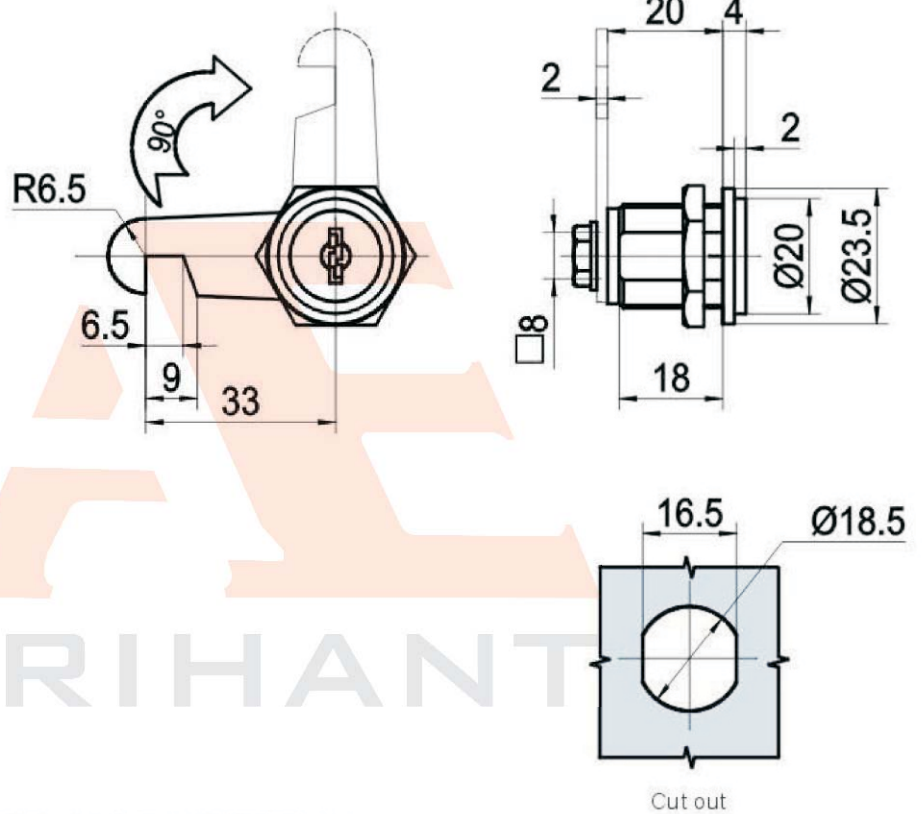




MS809



Main material and finish: Bright chrome-plated ZDC housing; zinc-plated steel cam.

HP or WP selection refer to MS706