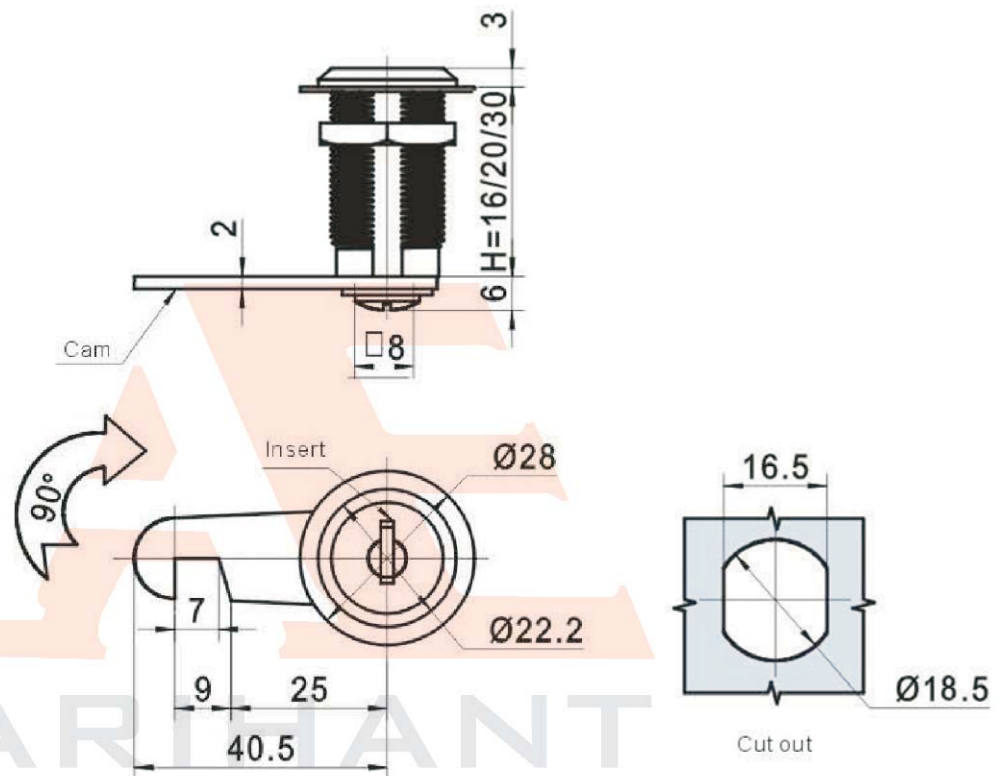




MS729



HP or WP selection refer to MS706

Main material and finish: Bright chrome-plated ZDC housing; zinc-plated steel cam.

MS729-3	H=16
MS729-2	H=20
MS729-1	H=30
CODE	SPECIFICATION