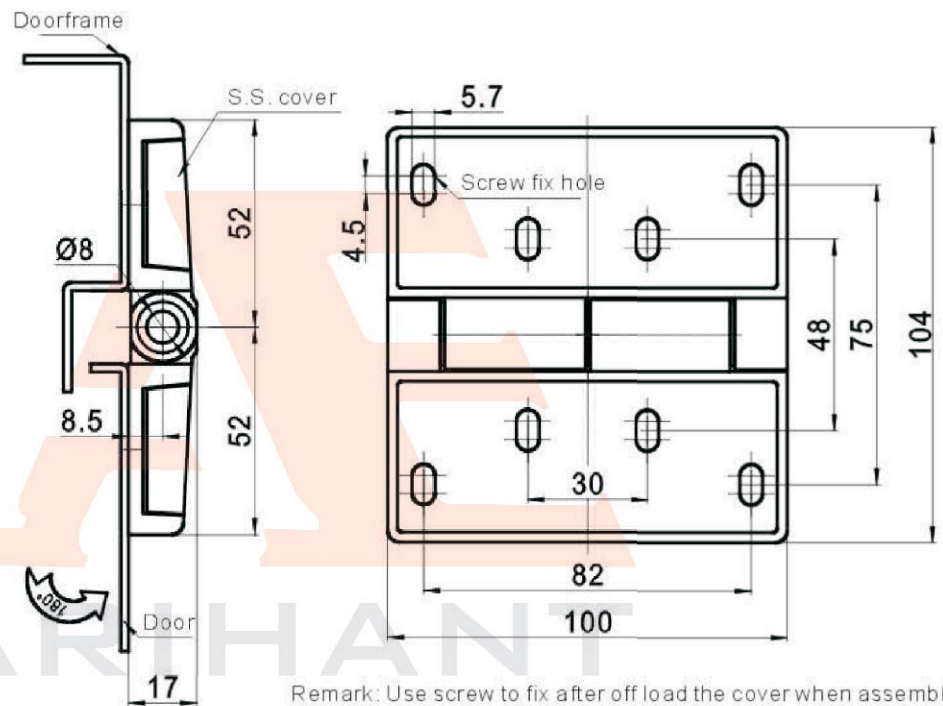


CL251



Remark: Use screw to fix after off load the cover when assembling

Main material and finish: Sand-blast and bright chrome plated ZDC hinge; Stainless steel shaft and cover.