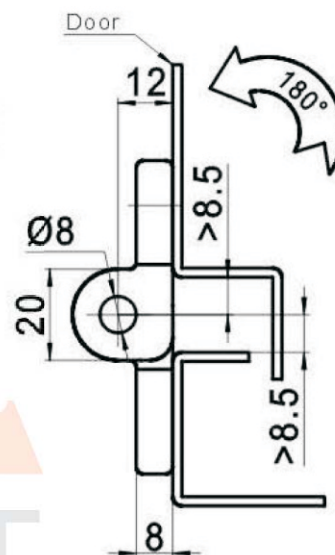
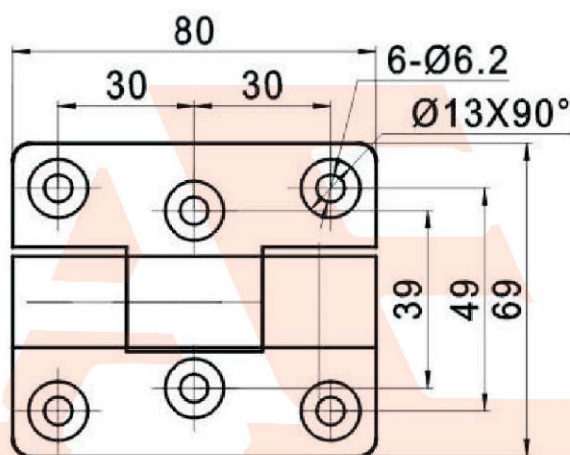




CL233



Main material and finish: Stainless steel hinge.

CL233-P	Polishing
CL233	Electrolysis
CODE	SPECIFICATION